

Merkmale:

- ☑ three-phase controlled digital-soft starter (7,5-800kW)
- ☑ integrated Bypass
- ☑ current and torque reduction during acceleration
- ☑ Comprehensive and customized motor protection
- ☑ DC Braking - Contactorless
- ☑ Display graphical LCD - Real time graphs of motor operating performance
- ☑ Inside Delta (6-wire) connection
- ☑ degree of protection: IP20 (up to 100A), IP00 (from 140A up)
- ☑ motor PTC connection



Soft Starters
VS i III ...-255 ...1000



Function:

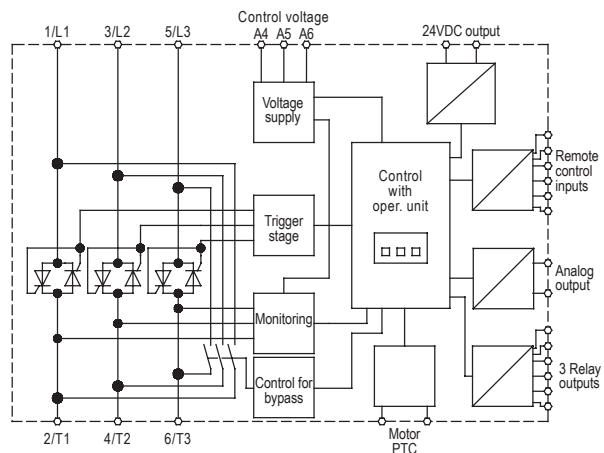
- ☑ Emergency run
- ☑ Forward or reverse jog direction.
- ☑ Remote control inputs (3x fixed, 1x programmable)
- ☑ Relay outputs (3x programmable)
- ☑ 24VDC output
- ☑ Analog output
- ☑ diverse Soft Start/Stop control types
- ☑ Units with 690V upon request

Typical Applications:

pumps, ventilators
compressors
mills, crushers, presses,
conveying systems
drives with high-inertia starting
machines with gear units, belt or chain drives

Accessories:

- ☑ PC Software
- ☑ DeviceNet-Module (29000.25903)
- ☑ Modbus-Module (29000.25904)
- ☑ Profibus-Module (29000.25905)
- ☑ Ethernet (IP, Modbus TCP, Profinet)
- ☑ USB-Module (29000.25910)
- ☑ Remote keypad (29000.25911)



Type number	VS i III 525 -								
	255 C1 / C2	350 C1 / C2	425 C1 / C2	500 C1 / C2	580 C1 / C2	700 C1 / C2	820 C1 / C2	920 C1 / C2	1000 C1 / C2
Rated device current	255A	350A	425A	500A	580A	700A	820A	920A	1000A
Mains voltage	200-525V 45-66Hz								
Control voltage	C1: 110VAC; 220VAC -15%/+10% 600mA; C2: 24VDC/24 VAC ±20% 2.8A								
Motor rating 400V in kW	132kW	185kW	220kW	250kW	315kW	400kW	450kW	500kW	550kW
Order number:									
C1 2S000.50...	255	350	425	500	580	700	820	920	101
C2 2S001.50...	255	350	425	500	580	700	820	920	101

