

## Soft Starters VersiStart II 3 ... 15LDS

### Features:

- ❑ two-phase controlled soft starter
- ❑ controlled by microcontroller
- ❑ easy mounting, also for retrofitting into existing plants
- ❑ integrated bypass relay
- ❑ no additional control voltage required
- ❑ no mains neutral conductor (N) required
- ❑ parameterization by means of three potentiometers
- ❑ economically priced substitute for star-delta starters
- ❑ current reduction during acceleration
- ❑ circuit-board version for mounting onto DIN rail
- ❑ plug-in control terminals
- ❑ degree of protection IP00



Soft Starters  
VS II 3 ... 15LDS



### Function:

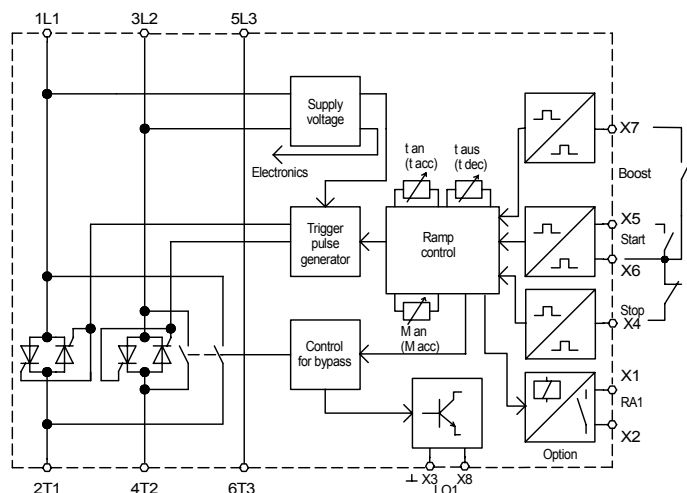
- ❑ soft acceleration and deceleration
- ❑ potential-free control input for soft acceleration and deceleration
- ❑ 3 separately adjustable parameters: starting torque, accel. time, decel. time
- ❑ two wire or three wire control via contact or voltage 10-42VDC
- ❑ boost-start selectable

### Typical Applications:

door and gate drives  
pumps, ventilators  
conveying systems  
packaging machines

### Options: (upon request)

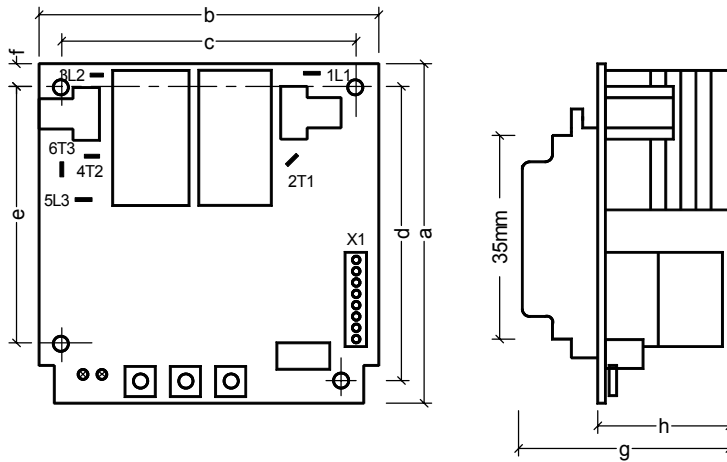
- ❑ Special voltages 230V and 480V



Technical Data	VS II 3 LDS   VS II 5,5 LDS   VS II 7,5 LDS   VS II 11 LDS   VS II 15 LDS				
	Mains / Motor voltage according to DIN EN 50160 (IEC 38)	400V ±10% 50/60Hz			
Rated device current	6,5A	12A	15A	25A	32A
Motor rating at 400V mains voltage	3kW	5,5kW	7,5kW	11kW	15kW
min. motor current	20% of the device rated current				
Starting torque	0 ... 80%				
Acceleration time	0,5 ... 10s				
Deceleration time	0,5 ... 10s				
Restart time	200ms				
max. Switching frequency at 3x I <sub>e</sub> and 5s t <sub>an</sub>	120/h	65/h	100/h	65/h	35/h
Cross-sectional area FASTON 6.3	1,5mm <sup>2</sup>		2,5mm <sup>2</sup>		litz 2,5mm <sup>2</sup>
I <sup>2</sup> t – Power semiconductor	265A <sup>2</sup> s	610A <sup>2</sup> s	4900A <sup>2</sup> s	4900A <sup>2</sup> s	6050A <sup>2</sup> s
Techn. parameter of relay output RA1	3A/250VAC; 3A/30VDC				
Techn. parameter of open-collector LO1	24VDC / 200mA				
Ambient / Storage temperature	0°C ... 40°C / -25°C ... 75°C				
Weight / kg	0,27		0,4		
Order number	25723.40003	25723.40005	25723.40007	25723.40011	25723.40015

Please observe supplementary sheet with dimensioning rules.

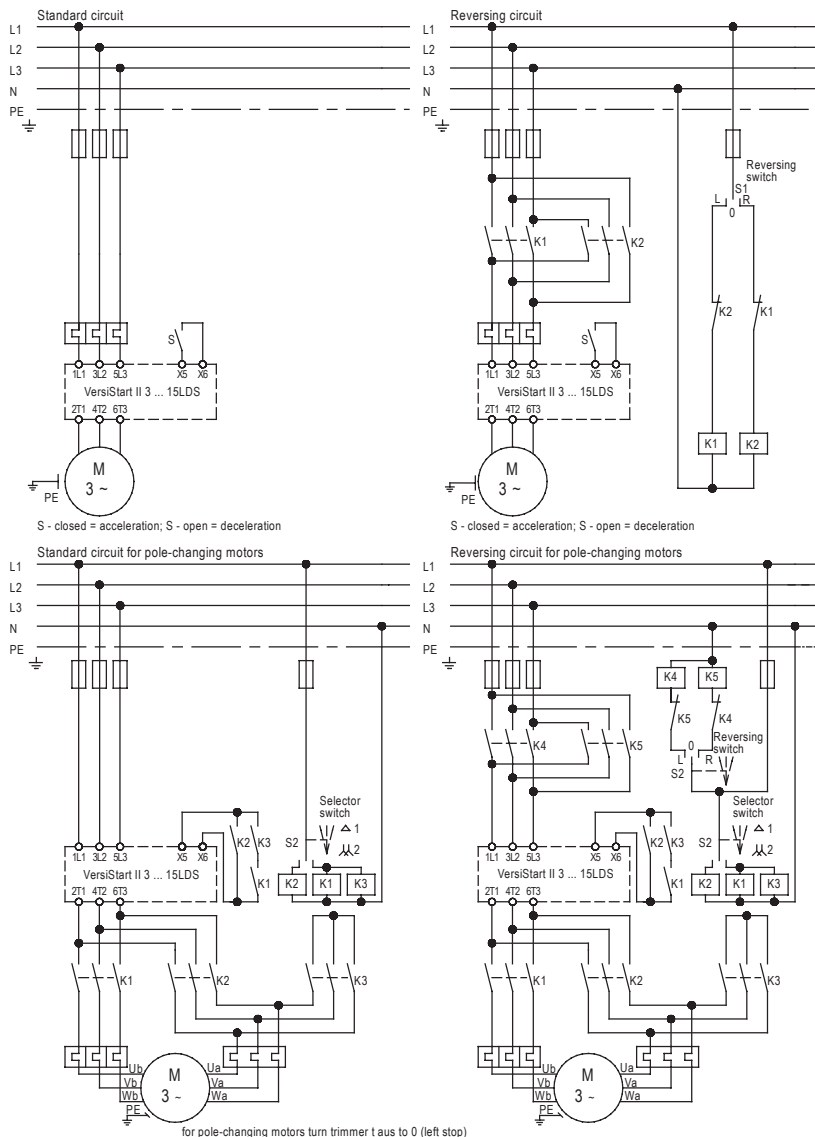
**Dimensions:**



Mounting dimensions	a	b	c	d	e	f	g	h
VS II 3 ... 5.5LDS	102,5	108,5	98,5	92,5	82,5	5,0	55,0	40
VS II 7.5 ... 15LDS	102,5	139,0	129,0	92,5	82,5	5,0	55,0	40

All dimensions indicated in mm.

**Connection Diagrams:**



**EMC**  
 The limit values for emitted interference according to the applicable device standards do not rule out the possibility that receivers and susceptible devices within a radius of 10m are subjected to interference. If such interference, which is definitely attributable to the operation of the soft starters "VersiStart II...LDS", occurs, the emitted interference can be reduced by taking appropriate measures. Such measures are, e.g.:  
 To connect reactors (3mH) or a suitable mains filter in series before the soft starter, or to connect X-capacitors (0.15µ F) in parallel to the supply voltage terminals.

for pole-changing motors turn trimmer t aus to 0 (left stop)