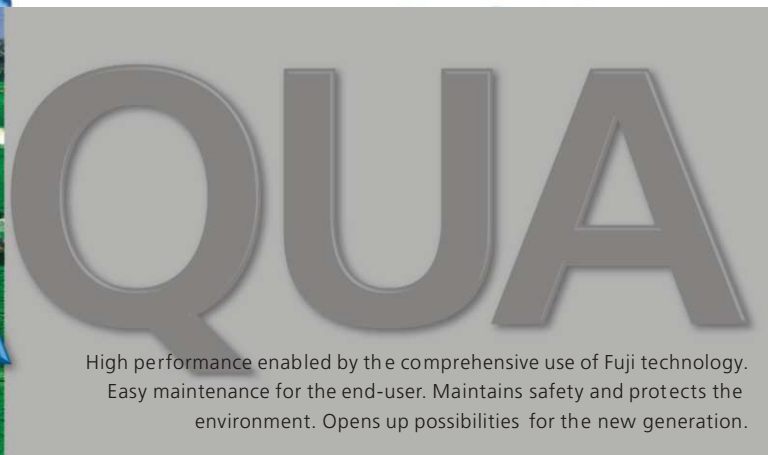


Low voltage AC drives for pumping water & compressors applications.

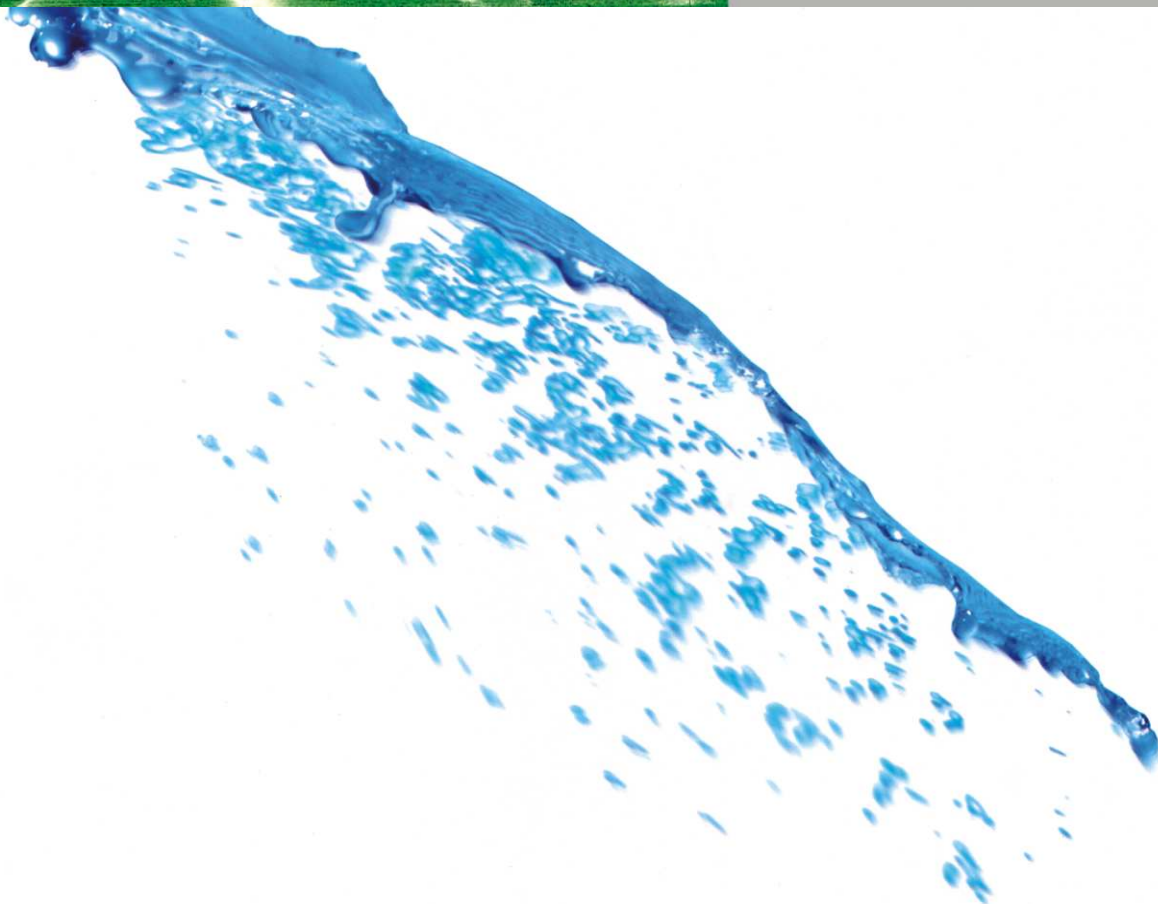
# **FRENIC-AQUA**

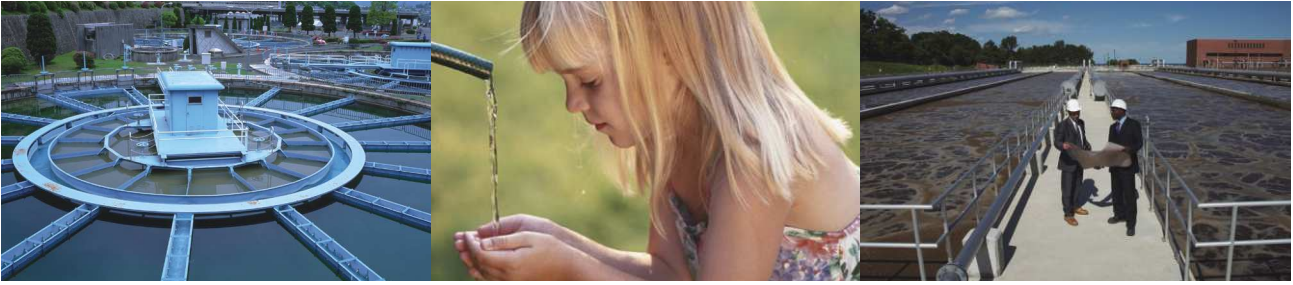


***Smile to the Environment***



High performance enabled by the comprehensive use of Fuji technology.  
Easy maintenance for the end-user. Maintains safety and protects the environment. Opens up possibilities for the new generation.





## Wide variation in model capacity

Model can be selected from two model types.

### ■ Standard type (EMC filter built-in type)

0.75 to 710kW (Protective structure IP21 or IP55 can be selected between 0.75 and 90kW.)

### ■ DCR built-in + EMC filter built-in type

0.75 to 90kW (Protective structure IP21 or IP55 can be selected between 0.75 and 90kW.)

Inverter capacity	EMC filter	DC reactor	Protective structure
0.75kW to 90kW	Built-in	Built-in	IP21/IP55
110kW to 710kW	Built-in	External	IP00

\* The models with inverter capacity 45kW to 710kW are coming soon.

## Optimum control by energy-saving functions

- Linearization function
- Temperature difference constant control and pressure difference constant control
- Energy saving functions including wet-bulb temperature presumption control
- Automatic energy-saving operation

## Dedicated pump control function provided as standard

- 4PID control • Cascade control • Mutual operation • Control of maximum starts per hour
- Dry pump detection • Deceleration time for check valve protection • Slow flowrate function
- End of curve detection • Boost function • Acceleration and deceleration at initial stage

## Slim body

The first slim body design among the Fuji Electric inverters.  
The size is the same between IP21 and IP55.

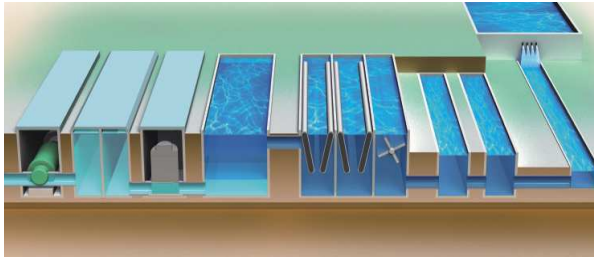
## User-friendly, useful functions

- Fire Mode (forced operation) • Customized logic
- Pick-up operation function • Anti-jam
- Torque vector control • Password function
- Real time clock • User friendly, useful keypad

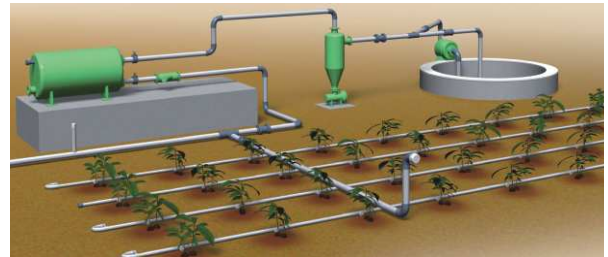


# Wide usage for water & air treatment.

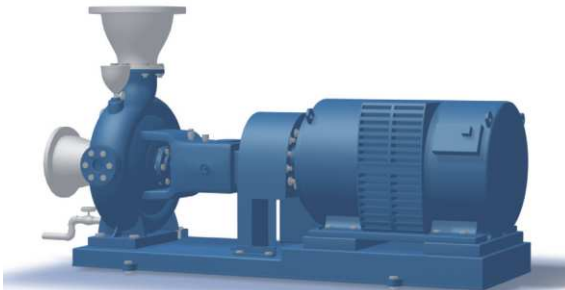
- Water purification plant and wastewater, clean water and sewage treatment plants



- Irrigation system

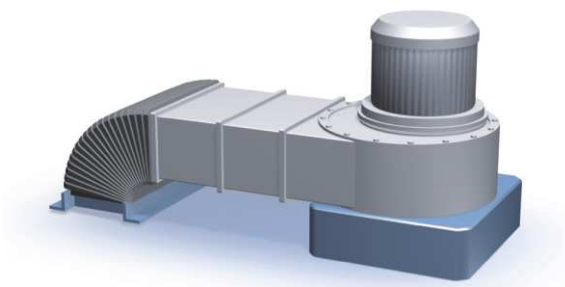


- Pump



Characteristics in pump usage	Advantages
Cascade control (Max. 8 units + 1 unit [auxiliary motor]) (Homogenization of operation hour)	Cost reduction Longer service life of the system
Built-in PID controller	Process optimization Cost cutting
Dry pump detection	Pump protection Energy saving
Mutual operation	Initial cost cutting
Condensation prevention function	No heater required

- Blower

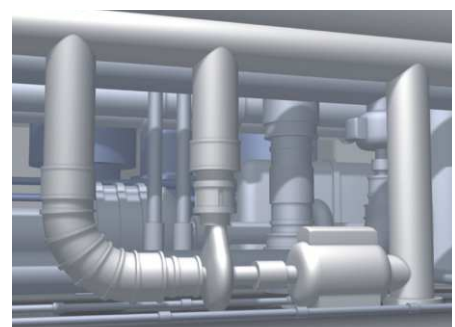


Characteristics in blower usage	Advantages
Built-in PID controller	Process optimization Cost cutting
Automatic energy-saving operation (Energy-saving operation according to load)	Energy saving
Condensation prevention function	No heater required
Pick-up operation	Blower protection

FRENIC -AQUA series is equipped with many functions that control the pumps and blowers used in water treatment facility optimally.

- Fluid-pressure device

- Oil pumping system
- Injection machine
- Hydraulic press machine
- Extruders





# Optimal Structure Design

## User friendly, easy to see keypad

- The regulator is indicated by enlarging the LCD.

- |                            |                   |                       |
|----------------------------|-------------------|-----------------------|
| 1. Present value (PV)      | 5. Output current | 9. Power consumption  |
| 2. Setting value (SV)      | 6. Output voltage | 10. Cumulative energy |
| 3. Manipulating value (MV) | 7. Torque         |                       |
| 4. Frequency               | 8. Rotation speed |                       |



\*Possible to show understandable indications through the unit conversion function.  
 \*Multi-language function: 19 languages + user customized language supported

- Multi-language supported: 19 languages + user customized language

Language				
Japanese	English	(Chinese)	German	French
Spanish	Italian	(Russian)	(Greek)	(Turkish)
(Malay)	(Vietnamese)	(Thai)	(Indonesian)	(Polish)
(Czech)	(Swedish)	(Portuguese)	(Dutch)	

\* Languages in parentheses are soon to be supported.

## Real time clock (RTC) is provided as standard.

- Alarm information with date and time

- Alarm information for last ten times is stored and displayed with date and time.

*Easy failure analysis*

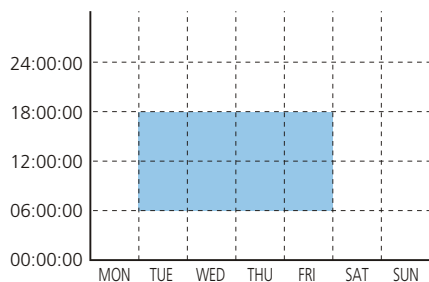
- Timer function

- Possible to set the maximum four timers for a week.
- Possible to set flag holidays (20 days a year).

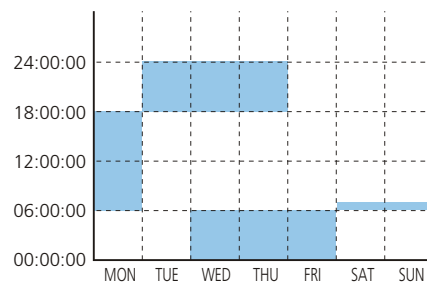
*Operation schedule can be set according to actual condition by using four timers.*

### Example

When operation is performed in the same schedule through a week



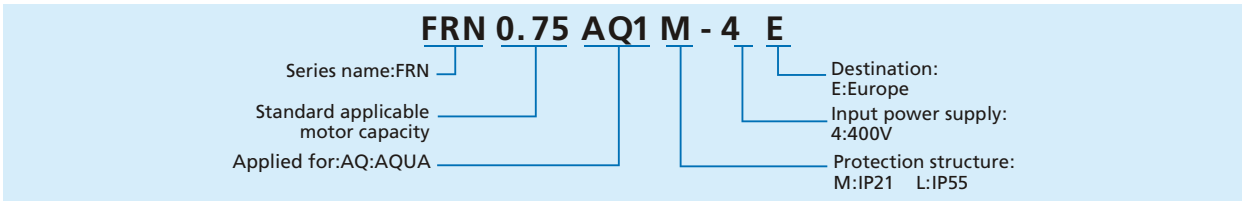
When operation schedule varies depending on the day of the week



- Unit conversion function between PV and SV values

- Unit conversion allows you to easily set data.

Function	Units			
Unit conversion	No conversion	%	RPM	l/min
	m <sup>3</sup> /h	C	mbar	bar
	kPa	mWG	mmHg	kW
	in-wg	psi	F	ppm
	PSI			



**1 User-friendly, easy to see dedicated keypad**

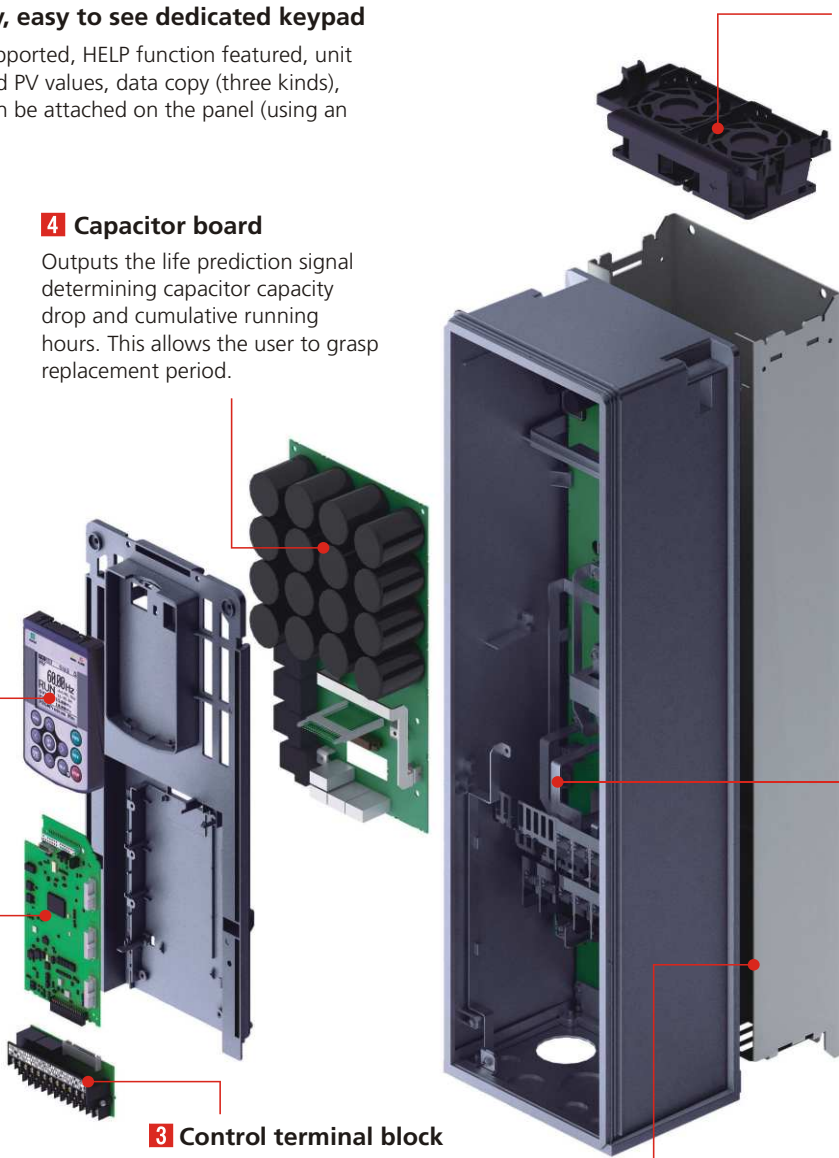
Multi-language supported, HELP function featured, unit setting with SV and PV values, data copy (three kinds), detachable and can be attached on the panel (using an optional cable)

**4 Capacitor board**

Outputs the life prediction signal determining capacitor capacity drop and cumulative running hours. This allows the user to grasp replacement period.

**5 Cooling fan**

Easy replacement just by simply removing and attaching the part. Life prolongation is possible by controlling ON and OFF.



**6 EMC filter**

Drastically reduces noise. Provided to units of all capacities. Conforming to IEC61800-3.

**3 Control terminal block**

The detachable control terminal block is adopted. This allows the unit to be replaced easily without disconnecting cables.

**7 DCR**

Drastically reduces harmonic noise. Conforming to IEC/EN61000-3-2 and IEC/EN61000-3-12. Provided as standard (to models up to 90kW), and can be attached externally as an option (to models from 110kW to 710kW).

**2 Control board**

USB port equipped.  
Max. three types of built-in optional boards can be mounted all together.  
Optional battery connection  
Various communications options

**8 Environmental immunity**

3C2, IEC60721-3-3 supported

**9 Others**

Support/analysis software by loader, RTC backup by battery (option)

Standard equipment	Optional equipment
<ul style="list-style-type: none"> <li>• BACnet MS/TP</li> <li>• Modbus RTU</li> <li>• Metasys N2</li> </ul>	<ul style="list-style-type: none"> <li>• LonWorks</li> <li>• Ethernet</li> <li>• Profibus</li> <li>• DeviceNet</li> <li>• CANopen</li> <li>• CC-Link</li> </ul>

# Optimal Function for Usage in Water Treatment

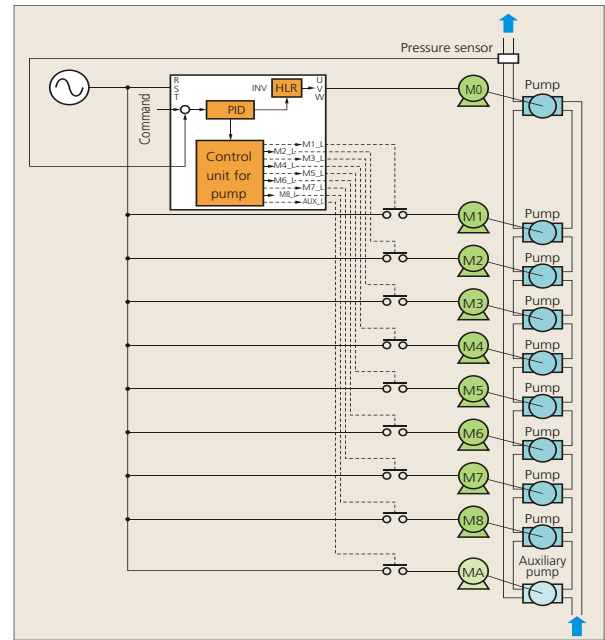
## Cascade control

### 1. Inverter drive motor fixed method (FIXED)

The system is configured by combining the motor driven by the inverter (M0), with motors that are commercially driven (M1 to M8) and auxiliary motor (MA). The motor driven by the inverter is always fixed as motor M0. Motors commercially driven are added one by one in control when the required discharge flow rate cannot be achieved with the motor M0 only.

**Inverter drive motor fixed method (FIXED)**

Max. **1 unit** (Driven by inverter) + **8 units** (Commercially driven) + **1 unit** (Auxiliary motor)

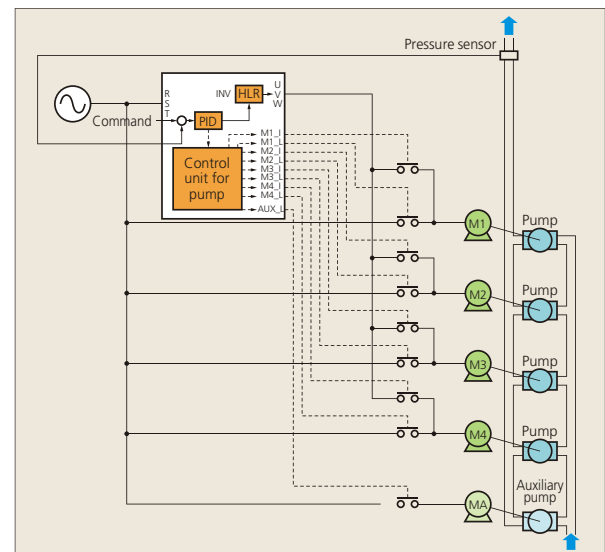


### 2. Inverter drive motor floating method (FLOATING)

The system for this method is configured by combining the motors that can be switched between inverter drive and commercial drive (M1 to M4) and auxiliary motor that are commercially driven (MA). The motors are driven by the inverter with variable speed control at start. When the desired discharge flow rate cannot be achieved with the first motor, operations FLOATING-1 or FLOATING-2 can be selected.

**Inverter drive motor floating method (FLOATING)**

Max. **4 units** + **1 unit** (Auxiliary motor)



#### FLOATING-1

The first motor:

Switched as a commercially driven motor

Second and subsequent motors:

Operated by inverter drive

The inverter-driven motor is changed by rotation as the motor is added.

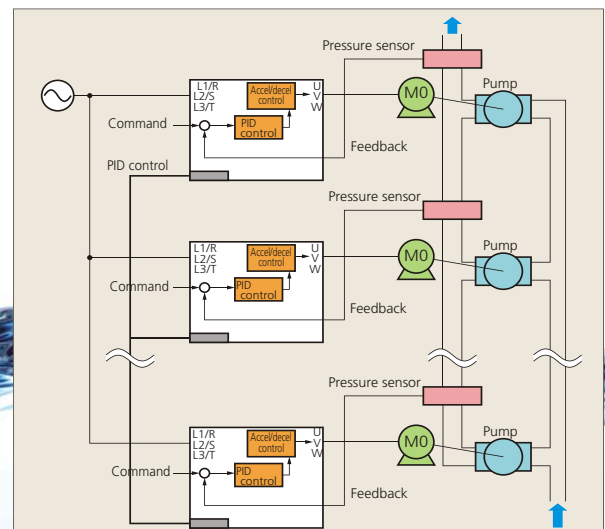
#### FLOATING-2

The first motor: Inverter drive continued

Second and subsequent motors: Commercially driven

## Mutual operation

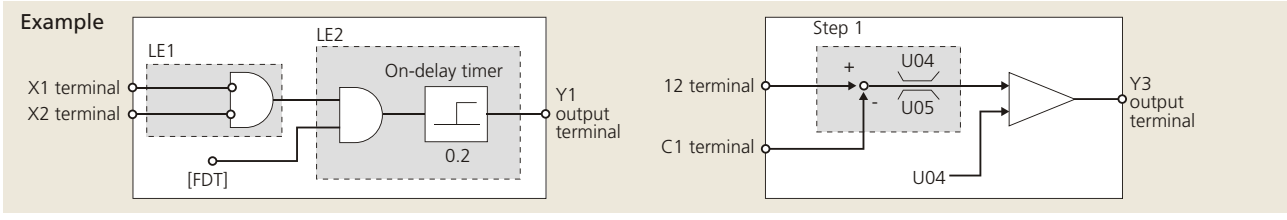
The system can be configured without using a controller by connecting the inverters via communications. In this system, if a failure occurs to the master inverter, the next inverter is driven as the master inverter. Moreover, wiring can be saved with use of communications services, which eliminates the need of additional options by using the Modbus RTU communications.



## Customized logic

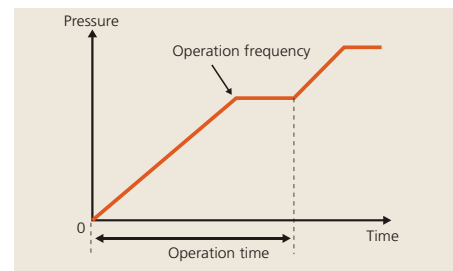
The customized logic interface function is provided to the inverter body. This enables forming of logic circuit and arithmetic circuit to the digital and analog input and output

signals, allowing simple relay sequence to be built while processing the signals freely.



## Boost function

Frequency can be output forcibly at a fixed rate in preference to PID control. By setting the operation frequency, operation time, and acceleration time at starting, optimal operation for starting the pump can be achieved.

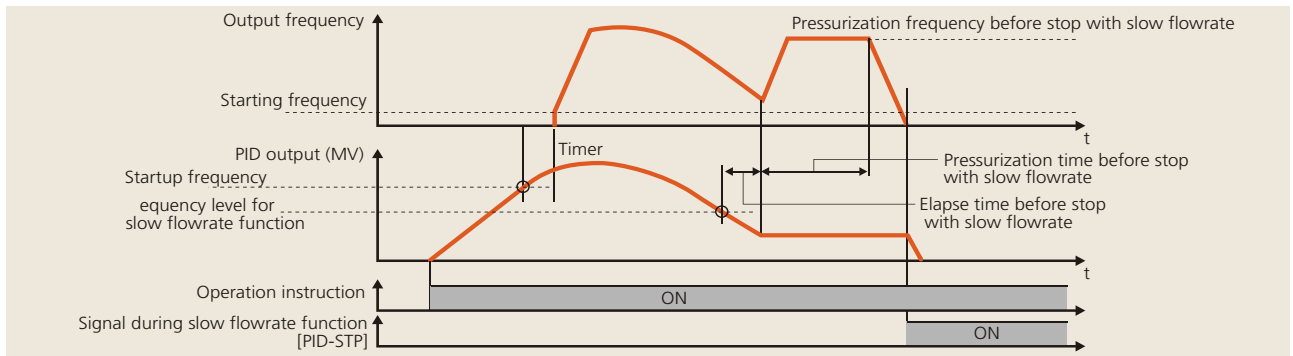


- Pressurizing operation can be applied for a certain period of time at the time of start.

## Slow flowrate function (pressurized operation available before slow flowrate)

The inverter can be stopped when the discharge rate becomes low due to increase of pump discharge pressure. Facility having a bladder tank can make the stoppage period

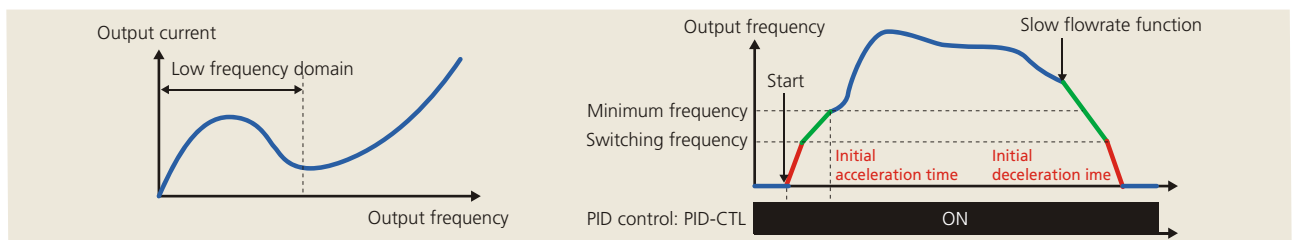
longer by applying pressure immediately before stoppage, which realizes energy-saving operation.



## Initial acceleration/deceleration time

When a pump such as a deep well pump is operated at low speed over a long period of time, the pump may be damaged since the load current is large in the low-speed range.

It is possible to provide acceleration/deceleration time specific to the low-speed range in order to avoid prolonged operation.



### Other featured functions

- 4PID control
- Pick-up operation
- Control of maximum starts per hour
- Dry pump detection
- Abnormal pressure rise prevention
- Password
- End of curve detection
- Deceleration time for check valve protection

# Standard Specifications

## 3-phase, 400V series (0.75 to 710kW)

Item		Specifications													
Model	FRN□□□ AQ1 # -4E : AQUA	0.75	1.5	2.2	4.0	5.5	7.5	11	15	18.5	22	30	37	45	55
Applicable standard motor (rated output) [kW] <sup>*1</sup>		0.75	1.5	2.2	4.0	5.5	7.5	11	15	18.5	22	30	37	45	55
Output ratings	Rated capacity [kVA] <sup>*2</sup>	1.9	3.1	4.1	6.8	10	14	18	24	29	34	45	57	69	85
	Voltage [V] <sup>*3</sup>	3-phase, 380 to 480V (with AVR function)													
	Rated current [A]	2.5	4.1	5.5	9.0	13.5	18.5	24.5	32	39	45	60	75	91	112
	Overload current rating	110%-1min (Overload tolerated interval: compliant with IEC 61800-2)													
	Rated frequency [Hz]	50, 60Hz													
Input Power Supply	Main power supply (No. of phase, voltage, frequency)	3-phase, 380 to 480V, 50/60Hz													
	Control power supply auxiliary-input (No. of phase, voltage, frequency)	Single phase, 380 to 480V, 50/60Hz													
	Voltage, frequency variations	Voltage: +10 to -15% (Unbalance rate between phases is within 2%) <sup>*4</sup> Frequency : +5 to -5%													
	Rated input current [A]	1.6	3.0	4.3	7.4	10.3	13.9	20.7	27.9	34.5	41.1	55.7	69.4	83.1	102
	Required power supply capacity [kVA]	1.2	2.1	3.0	5.2	7.2	9.7	15	20	24	29	39	49	58	71
Braking	Braking torque [%] <sup>*5</sup>	20											10 to 15		
	DC braking	Braking starting frequency: 0.0 to 60.0Hz, Braking time: 0.0 to 30.0s, Braking level: 0 to 60%													
EMC filter		Built-in [Compliant with EMC standard (IEC/EN61800-3:2004)]													
DC reactor (DCR)		Built-in (IEC/EN61000-3-2, IEC/EN61000-3-12)													
Compliant with Electrical Safety Standards		UL508C, C22.2No.14, IEC/EN61800-5-1:2007													
"#" Enclosure (IEC/EN60529)		IP21/IP55													
Cooling method		Natural cooling					Fan cooling								
Weight/Mass [kg]	IP21/IP55	10	10	10	10	10	10	18	18	18	18	23	23	TBD	TBD

Item		Specifications													
Model	FRN□□□ AQ1 # -4E : AQUA	75	90	110	132	160	200	220	280	315	355	400	500	630	710
Applicable standard motor (rated output) [kW] <sup>*1</sup>		75	90	110	132	160	200	220	280	315	355	400	500	630	710
Output ratings	Rated capacity [kVA] <sup>*2</sup>	114	134	160	192	231	287	316	396	445	495	563	731	891	1044
	Voltage [V] <sup>*3</sup>	3-phase, 380 to 480V (with AVR function)													
	Rated current [A]	150	176	210	253	304	377	415	520	585	650	740	960	1170	1370
	Overload current rating	110%-1min (Overload tolerated interval: compliant with IEC 61800-2)													
	Rated frequency [Hz]	50, 60Hz													
Input Power Supply	Main power supply (No. of phase, voltage, frequency)	3-phase, 380 to 480V, 50/60Hz													
	Control power supply auxiliary-input (No. of phase, voltage, frequency)	Single phase, 380 to 480V, 50/60Hz													
	Voltage, frequency variations	Voltage: +10 to -15% (Unbalance rate between phases is within 2%) <sup>*4</sup> Frequency : +5 to -5%													
	Rated input current [A]	136	162	201	238	286	357	390	500	559	628	705	881	1115	1256
	Required power supply capacity [kVA]	95	113	140	165	199	248	271	347	388	436	489	611	773	871
Braking	Braking torque [%] <sup>*5</sup>	10 to 15													
	DC braking	Braking starting frequency: 0.0 to 60.0Hz, Braking time: 0.0 to 30.0s, Braking level: 0 to 60%													
EMC filter		Built-in [Compliant with EMC standard (IEC/EN61800-3:2004)]													
DC reactor (DCR)		Built-in		Standard accessory (IEC/EN61000-3-2, IEC/EN61000-3-12)											
Compliant with Electrical Safety Standards		UL508C, C22.2No.14, IEC/EN61800-5-1:2007													
"#" Enclosure (IEC/EN60529)		IP21/IP55				IP00									
Cooling method		Fan cooling													
Weight/Mass [kg]	IP21/IP55	TBD	TBD												
	IP00			62	64	94	98	129	140	245	245	245	330	530	530

Models with capacity range from 45kW to 710kW are to be released soon.

\*1) Applicable standard motors are the case of Fuji Electric's 4-pole standard motors. \*4) Interphase voltage unbalance ratio [%] = (max. voltage [V] - min. voltage [V]) / 3-phase average voltage [V] × 67 (See IEC61800-3.) When unbalance ratio is between 2 and 3% please use optional AC reactor (ACR).

\*2) The rated capacity indicates the case of 440V ratings.

\*3) Output voltage cannot exceed the power supply voltage.

\*5) Average braking torque obtained by use of a motor. (Varies with the efficiency of the motor)

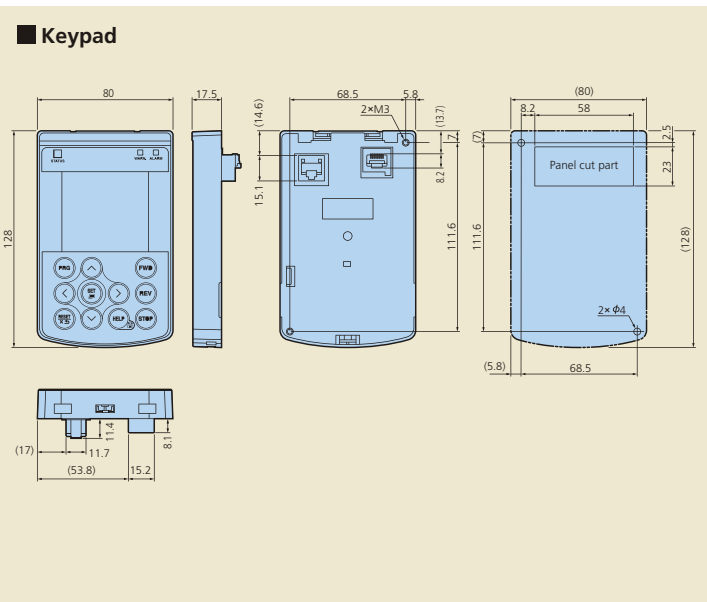
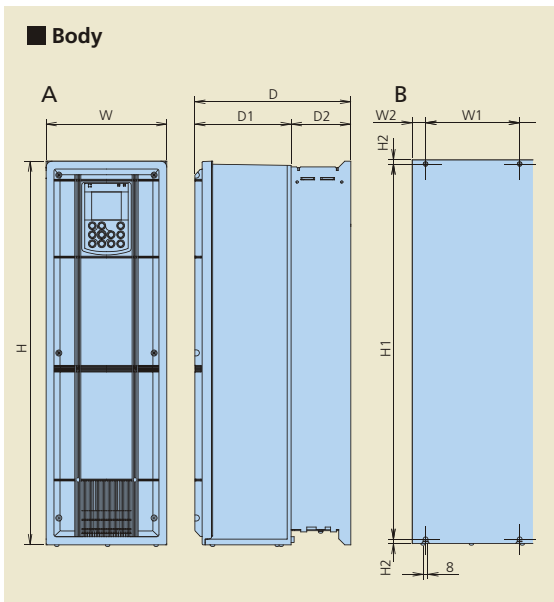


## Outline drawing

Power supply voltage	Applicable standard motor (kW)	Inverter model	Outside dimensions (mm)					Mounting dimensions (mm)						
			Dwg.no.	W	H	D	D1	D2	Dwg.no.	W1	W2	H1	H2	
3-phase 400V	0.75	FRN0.75AQ1□-4E	A	150	465	262	162	100	B	115	17.5	451	7	
	1.5	FRN1.5AQ1□-4E												
	2.2	FRN2.2AQ1□-4E												
	3.7	FRN3.7AQ1□-4E												
	5.5	FRN5.5AQ1□-4E												
	7.5	FRN7.5AQ1□-4E												
	11	FRN11AQ1□-4E												
	15	FRN15AQ1□-4E												
	18.5	FRN18.5AQ1□-4E												
	22	FRN22AQ1□-4E												
	30	FRN30AQ1□-4E		203	585	262	162	100		158	22.5	571	7	
	37	FRN37AQ1□-4E		203	645	262	162	100		158	22.5	631	7	
	45	FRN45AQ1□-4E		265	736	285								
	55	FRN55AQ1□-4E												
	75	FRN75AQ1□-4E		300	888	370								
	90	FRN90AQ1□-4E												
	110	FRN110AQ1#-4E												
	132	FRN132AQ1#-4E												
	160	FRN160AQ1#-4E												
	200	FRN200AQ1#-4E												
220	FRN220AQ1#-4E													
280	FRN280AQ1#-4E													
315	FRN315AQ1#-4E													
355	FRN355AQ1#-4E													
400	FRN400AQ1#-4E													
500	FRN500AQ1#-4E													
630	FRN630AQ1#-4E													
710	FRN710AQ1#-4E													

□ (Protective structure) : M : IP21, L : IP55

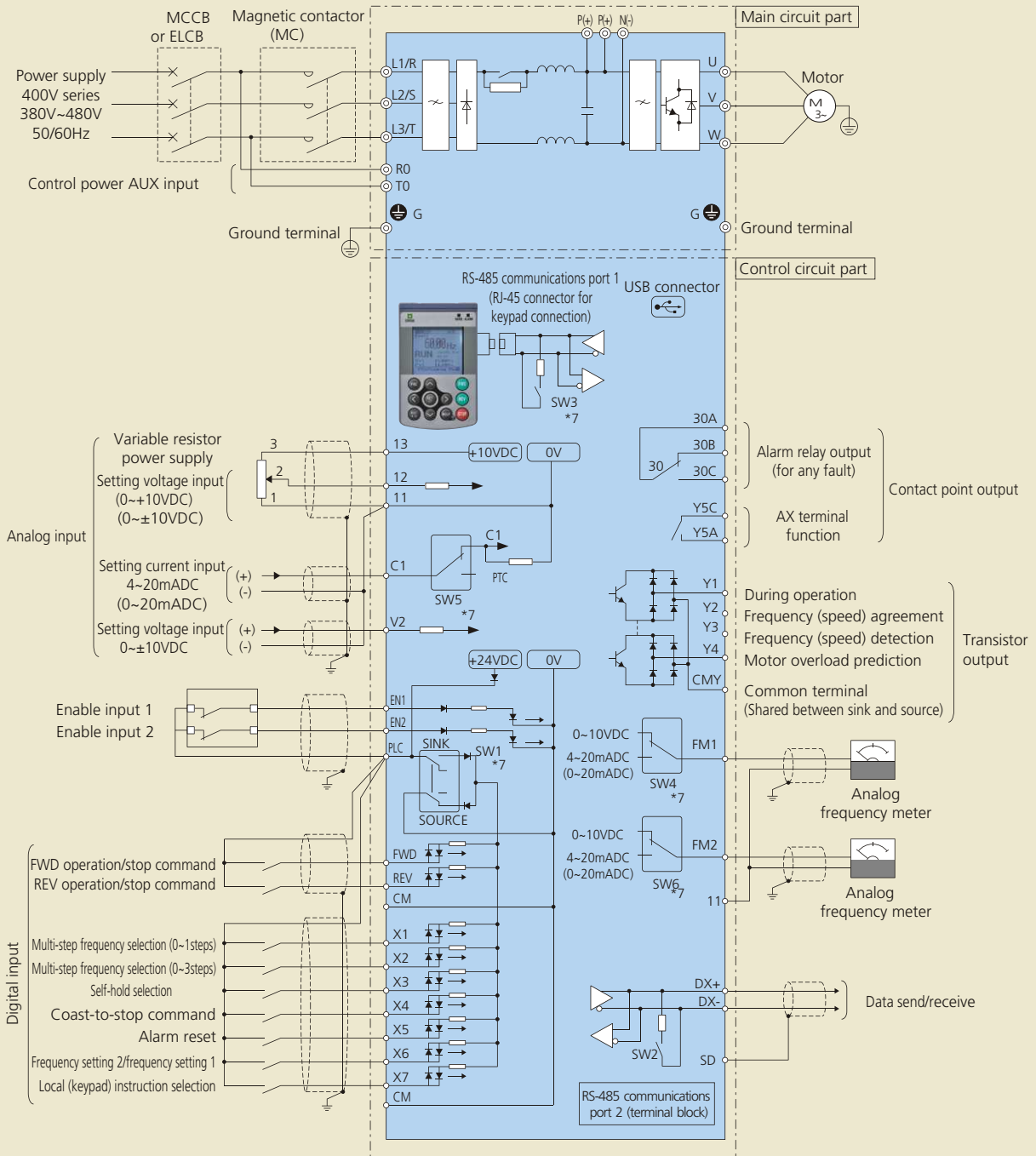
# (Protective structure) : IP00



# Wiring Diagram

## Basic configuration diagram

(Factory shipped condition: with SOURCE mode input and enable input function)



## Options

### Relay output interface card (OPC-G1-RY)

This is an optional card that converts the transistor output at terminals Y1 to Y4 on the inverter body to relay output (1c). Each card has two relay outputs, and four relay outputs are available by installing two cards.

Note: When the card is mounted, the terminals Y1 to Y4 on the inverter body

<b>Relay output:</b>	2 circuits built-in
<b>Signal type:</b>	1c
<b>Contact point capacity:</b>	AC250V, 0.3A $\cos\phi=0$ . DC48V, 0.5A (Resistance load)

### Analog input interface card (OPC-G1-AIO)

This card allows analog input and output to be used.

<b>Analog input:</b>	1 analog voltage input point (0~±10V) 1 analog current input point (4~20mA)
<b>Analog output:</b>	1 analog voltage output point (0~±10V) 1 analog current output point (4~20mA)

### CC-Link communications card (OPC-G1-CCL)

By connecting this card with the CC-Link master unit, the communications rate up to 10Mbps can be supported and the transmission distance is covered up to 1200 m in total.

<b>No. of connection units:</b>	42 units
<b>Communications method:</b>	CC-Link Ver1.10 and Ver2.0
<b>Communications rate:</b>	156kbps~

### PROFIBUS DP communications card (OPC-G1-PDP)

This card enables operation instruction and frequency command to be set from the PROFIBUS DP master, allowing operation conditions to be monitored and all the function codes to be changed and checked.

<b>Communications rate:</b>	9.6kbps~12Mbps
<b>Transmission distance:</b>	~1,200m
<b>Connection connector:</b>	6-pole terminal block

### LonWorks communications card (OPC-G1-LNW)

Coming soon

This card allows peripheral equipment (including a master unit) that is connected via LonWorks to be connected with the inverter, enabling operation instruction and frequency command to be set from the master unit.

### Extension cable for remote operation (CB-□S)

This cable is used in connection between the inverter body and the keypad.

Optional type	Length (m)
CB-5S	5
CB-3S	3
CB-1S	1

### Relay output interface card (OPC-G1-RY2)

This optional card allows relay outputs (1a) to be added. When used in cascaded control, this card can control the seven motors.

\* By using the two relay outputs on the inverter body, max. 8 units and one unit (auxiliary pump) can be controlled.

<b>Relay output:</b>	7 circuits built-in
<b>Signal type:</b>	1a
<b>Contact point capacity:</b>	AC250V, 0.3A $\cos\phi=0$ . DC48V, 0.5A (Resistance load)

### Analog current output interface card (OPC-G1-AO)

This card allows two analog current output (4 to 20mA) points to be used. The card cannot be used together with OPC-G1-AIO.

### DeviceNet communications card (OPC-G1-DEV)

This card enables operation instruction and frequency command to be set from the DeviceNet master, allowing operation conditions to be monitored and all the function codes to be changed and checked.

<b>No. of connection nodes</b>	max. 64 units (including the master unit)
<b>MAC ID:</b>	0-63
<b>Insulation:</b>	500V DC (photocoupler insulation)
<b>Communications rate:</b>	500kbps/250kbps/125kbps
<b>Network consumed power</b>	max. 80mA, 24V DC

### CANopen communications card (OPC-G1-COP)

This card enables operation instruction and frequency command to be set from the CANopen master (such as PC and PLC), allowing all the function codes to be set and checked.

<b>No. of connection nodes</b>	127 units
<b>Communications rate:</b>	20k, 50k, 125k, 250k, 500k, 800k, 1Mbps
<b>Transmission distance:</b>	~2,500m

### Ethernet communications card (OPC-G1-ETH)

Coming soon

### Pt100 temperature sensor input card (OPC-G1-PT)

Coming soon

### Battery (OPK-BP)

Used for the real time clock activated while the inverter power is off. The real time clock can be operated even when no power is supplied inverter at electric power interruption.



Headquarters Europe  
**Fuji Electric Europe GmbH**  
Goethering 58  
63067 Offenbach/Main  
Germany  
Tel.: +49 69 669029 0  
Fax: +49 69 669029 58  
info\_inverter@fujielectric.de  
www.fujielectric.de

Headquarters Japan  
**Fuji Electric Co., Ltd.**  
Gate City Ohsaki East Tower,  
11-2 Osaki 1-chome, Shinagawa-ku,  
Chuo-ku  
Tokyo 141-0032  
Japan  
Tel: +81 3 5435 7280  
Fax: +81 3 5435 7425  
www.fujielectric.com

Germany South  
**Fuji Electric Europe GmbH**  
Drosselweg 3  
72666 Neckartailfingen  
Tel.: +49 7127 9228 00  
Fax: +49 7127 9228 01  
hgneiting@fujielectric.de

Germany North  
**Fuji Electric Europe GmbH**  
Friedrich-Ebert-Str. 19  
35325 Mücke  
Tel.: +49 6400 9518 14  
Fax: +49 6400 9518 22  
mrost@fujielectric.de

Switzerland  
**Fuji Electric Europe GmbH**  
Park Altenrhein  
9423 Altenrhein  
Tel.: +41 71 85829 49  
Fax.: +41 71 85829 40  
info@fujielectric.ch  
www.fujielectric.ch

Spain  
**Fuji Electric Europe GmbH**  
Sucursal en España  
Ronda Can Fatjó 5, Edifici D, Local B  
Parc Tecnològic del Vallès  
08290 Cerdanyola (Barcelona)  
Tel.: +34 93 5824333  
Fax: +34 93 5824344  
infospain@fujielectric.de

France  
**Fuji Electric Europe GmbH**  
265 Rue Denis Papin  
38090 Villefontaine  
Tel.: +33 4 74 90 91 24  
Fax: +33 4 74 90 91 75  
info\_inverter@fujielectric.de

Italy  
**Fuji Electric Europe GmbH**  
Via Rizzotto 46  
41126 Modena (MO)  
Tel. +39 059 4734266  
Fax +39 059 4734294  
info.italy@fujielectric.de

United Kingdom  
**Fuji Electric Europe GmbH**  
Te.: +44 7 989 090 783  
info\_inverter@fujielectric.de