

**Features:**

- ❑ DC braking with one-way rectification
- ❑ controlled by microcontroller
- ❑ suitable for all asynchronous motors
- ❑ easy mounting, also for retrofitting into existing plants
- ❑ wear-resistant and maintenance-free
- ❑ special voltages up to 575V (UL: up to 480V) with option "B"
- ❑ for snap-mounting onto 35mm top-hat-rail
- ❑ degree of protection IP 20



Braking Devices  
**AC-VB 230-36**  
**AC-VB 400-36**



**Function:**

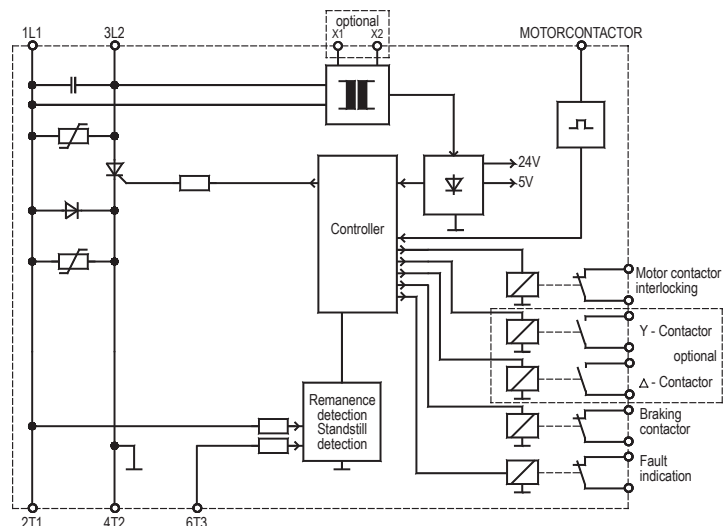
- ❑ control via motor contactor
- ❑ standstill detection
- ❑ braking current limited to rated device current
- ❑ remanence time optimization
- ❑ braking current infinitely adjustable
- ❑ potential-free output for motor contactor interlocking during braking
- ❑ potential-free output for fault signalling relay
- ❑ potential-free output for braking contactor
- ❑ temperature monitoring of power module

**Options: (upon request)**

- ❑ star-delta starting control (D)
- ❑ wide-voltage-range 200-575V (B)  
 control voltage of 24VAC or 230VAC is necessary (please note in order)

**Typical Applications:**

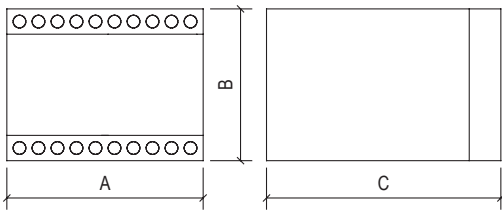
- sawing machines
- centrifuges
- wood working machines
- textile machines
- conveying systems



Type designation	AC-VB 230-36 AC-VB 400-36
Mains voltage according to DIN EN 50160 (IEC 38)	AC-VB 230 ... 220/240V ±10% 50/60Hz Option "B" AC-VB 400 ... 380/415V ±10% 50/60Hz 200...575V ± 10% 50/60Hz
Power draw of the electronics	6 VA
Recommended for rated motor currents up to	17A
Rated device current	36A
c.d.f. at max. braking current	5%
I <sup>2</sup> t-Value Power semiconductor	1050A <sup>2</sup> s
Braking voltage	0 ... 130VDC at 220/240V 0 ... 220VDC at 380/415V
max. Braking time	15sec. (other times upon request)
Contact rating of output relay	6A/250VAC; 6A/30VDC
Delay time for reduction of residual e.m.f.	self-optimizing (100 ... 2500ms)
max. Cross-sectional area	2x 2,5mm per terminal
Ambient / Storage temperature	0°C ... 45°C / -25°C ... 75°C
Weight / kg	1
Order number 230V	21900.23036
Order number 400V	21900.40036
Order number 230V - UL	29800.23036
Order number 400V - UL	29800.40036

Please observe supplementary sheet with dimensioning rules.

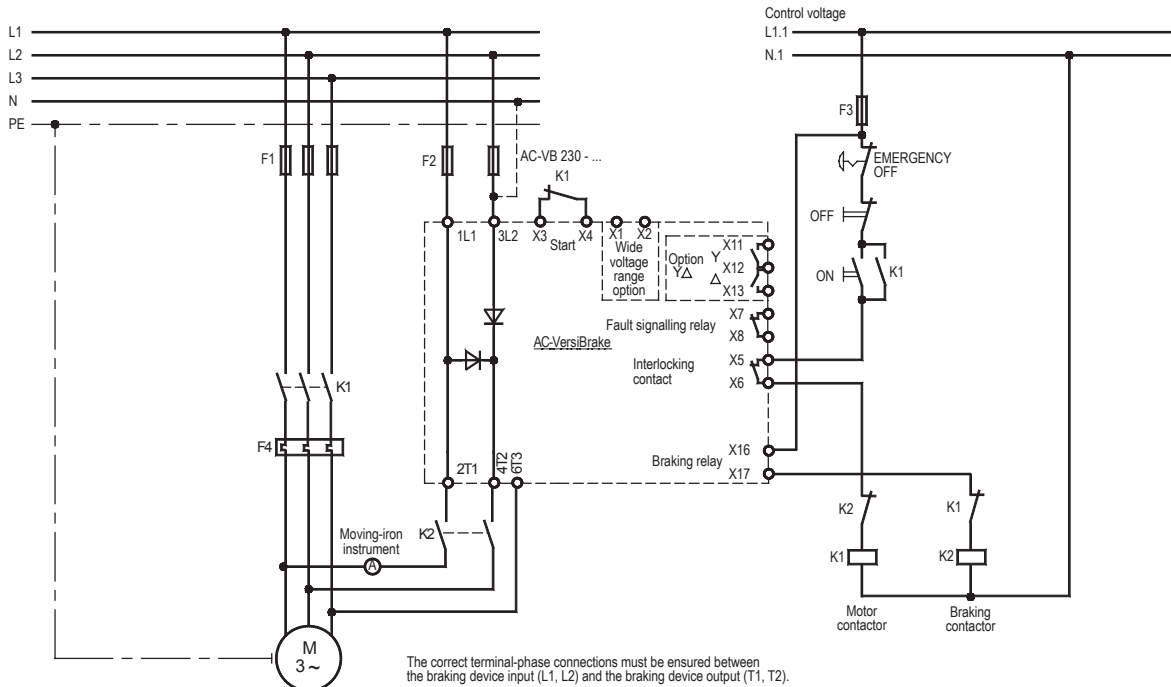
**Dimensions:**



	A	B	C
AC-VB ... - 36	100	73	120

All dimensions in mm.

**Connection Diagrams:**



**EMC**  
 The limit values for emitted interference according to the applicable device standards do not rule out the possibility that receivers and susceptible electronic devices within a radius of 10m are subjected to interference. If such interference, which is definitely attributable to the operation of the braking devices "AC-VB", occurs, the emitted interference can be reduced by taking appropriate measures.  
 Such measures are, e.g.:  
 To connect reactors (3mH) or a suitable mains filter in series before the braking device, or to connect X-capacitors (0.15µF) in parallel to the supply voltage terminals.

Subject to change without notice.