

FRENIC-Mini Series

FRENIC



Mini

FUJI INVERTERS

GREAT PERFORMANCE IN A COMPACT PACKAGE
WELCOME TO THE NEW GENERATION
OF MICRO INVERTERS

FRENIC-Mini Series Concepts



Actual size

Ideal functions to meet various needs

New, compact design

Simple operation

Flexible through optionals

A broad range of model variations

Global products

Fuji Electric is the world's top market share manufacturer* of general-purpose inverters in the 4.0kW class or below.

Based on our experience and customer's needs, we have now integrated our advanced designs and industry-leading technologies to develop a new inverter series, called FRENIC-Mini.

The FRENIC-Mini features a full range of functions, compact body, simple operation, wide model variations, and global compatibility. It will meet your needs for higher performance in machines and equipment such as conveyors, fans, pumps, centrifugal separators and food processing machines, as well as the needs for system integration, energy saving, labor saving, and total cost reduction.

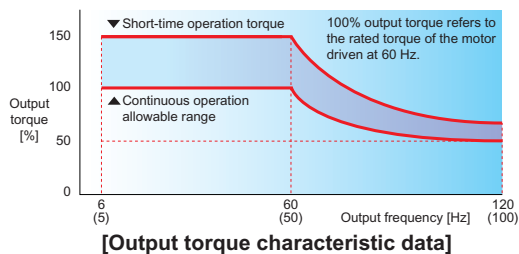
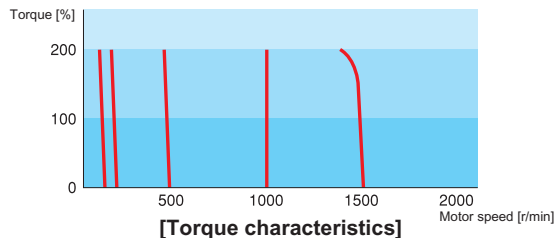
*Quoted from Low Power AC Drive Worldwide Outlook (2001) published by ARC(USA)



Optimum performance for traversing conveyors

High starting torque, at 150% or more

Equipped with Fuji's original simplified torque-vector control system and the automatic torque boost function, the inverter provides consistent powerful operation (when automatic torque boost is ON, slip compensation control is ON, and when running at 5Hz or more).



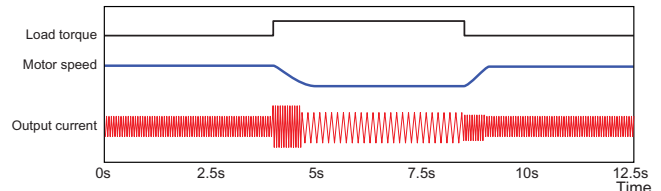
* The above graph shows an example of torque characteristics obtained when FRENIC-Mini is combined one-to-one with Fuji's standard three-phase motor (8-type series; 4 poles).

Braking resistor connectable to the inverter

Owing to a built-in braking transistor (0.4kW or larger), an optional braking resistor can be connected to increase the regenerative braking capacity for conveyance and transportation machinery that require large braking power. For inverters of 1.5kW or larger, it is possible to select the model that incorporates a braking resistor.

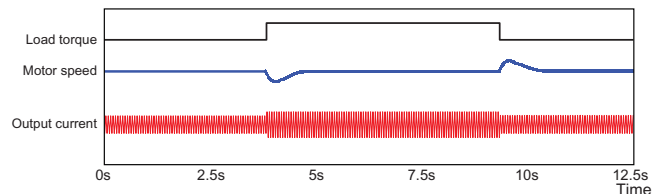
Trip-free operation

The remarkably improved current limiting function (stall prevention) allows trip-free operation even for an impact load.



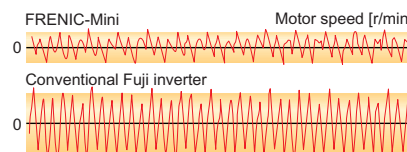
Stable operation even for a step load

The slip compensation function permits stable operation even when the motor load fluctuates (step load).



Reduced motor instability at low speed

Fuji's unique control method improves voltage control performance and reduces motor instability at low speed to about a half or less (at 1Hz) compared with that of conventional inverters.



[Instability characteristics]



The highly used functions for fans and pumps

Automatic energy-saving provided as a standard function

By controlling the motor loss to a minimum, FRENIC-Mini further saves electric power when applied to fans or pumps.

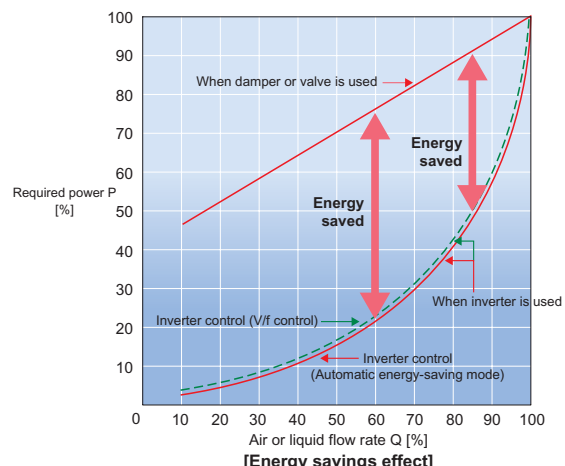
*Energy saving rate varies with the motor characteristics.

PID control function

Permits motor operation while controlling temperature, pressure, or flow rate without using an external device such as temperature controller.

Cooling fan ON/OFF control function

The inverter's cooling fan can be turned off while the fan or pump is stopped for noise reduction and energy savings.



Safety Precautions

1. The contents of this catalog are provided to help you select the product model that is best for you. Before actual use, be sure to read the Instruction Manual/User's Manual thoroughly to assure correct operation.
2. This product is not designed and manufactured for use in machines or systems which human life is dependent upon. If you are studying use of the products in this brochure for special purposes such as for control of nuclear power stations, in sea, air or space craft, in medical or land transportation equipment, or any related systems, please contact the business office of Fuji Electric. If these products are to be used in any equipment in which there is a risk to human life or the possibility of a major loss in the event of failure, be sure to install the appropriate safety equipment.



The ideal functions to serve a multiplicity of needs for small-capacity inverters

Compatible with a wide range of frequency settings

The optimum frequency setting method can be selected to match your machine or equipment. Setting can be done by keypad panel (●● keys, potentiometer), analog input (4 to 20mA, 0 to +10V, 0 to 5V, 1 to 5V), multistep speed settings (8 steps) etc.

A transistor output is provided.

This enables an overload early warning, lifetime forecast or other information signals to be output during operation.

The output frequency can be set to a maximum of 400Hz.

The inverter can be used for equipment that requires a high motor speed such as centrifugal separator. In this case, check the operation in combination with the motor.

Two points can be set for a non-linear V/f pattern.

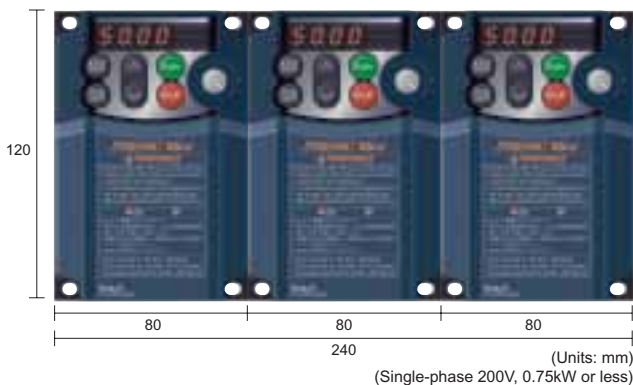
One point for the non-linear V/f pattern, which can be set as desired, has been added (making a total of 2 points), and so the V/f pattern can be adjusted to match the application.



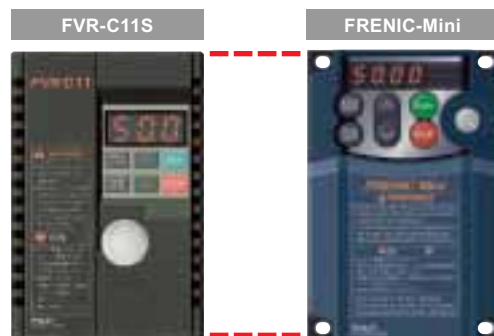
Compact

Side-by-side mounting is possible.

Multiple inverter units can be mounted side-by-side inside a panel. This feature helps to minimize the space used for installation. (Ambient temperature: 40 C or less)



Size interchangeability with Fuji's FVR-C11S series is provided.



*Applicable models, however, are limited to single-phase and three-phase 200V series with semi-standard specifications.

RS485 communications card (option) can be installed internally.

This card can be installed inside the inverter's body without changing the dimensions. RS485 communications are available as option.

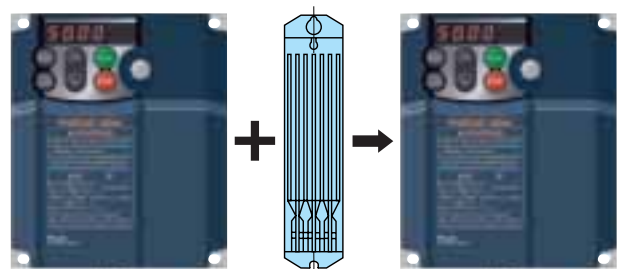


(Single-phase 200V, 0.75kW or less)

A model with built-in braking resistor is available on order.

For inverters of 1.5kW or larger, a built-in braking resistor type can be selected.

Since installation and wiring of a separate braking resistor is not required, the total mounting space is reduced.



(Single-phase 200V, 1.5kW)

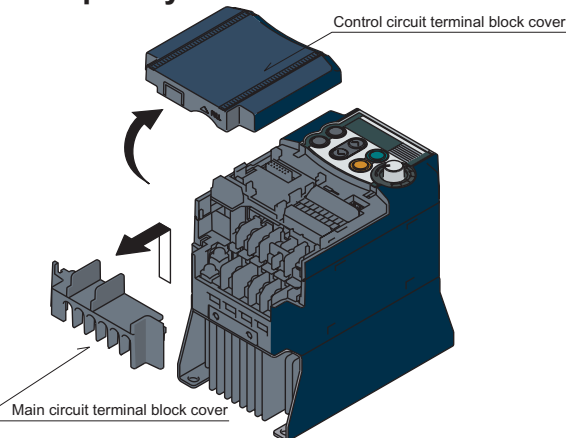


Simple operation and wiring

Frequency setting potentiometer is standard equipment.

The frequency can be adjusted easily by hand.

The control circuit terminal block cover and main circuit terminal block cover can be quickly removed.



All types of data can be displayed on the keypad.

The output frequency, set frequency, load shaft speed, output current, output voltage, alarm history, input power etc. can be displayed.



A menu mode is included in the keypad.

The menu items include the "function menu" for checking or changing function codes, "operation monitor", "I/O check", "maintenance info." and "alarm info." See the FRENIC-Mini User's Manual for details.



Maintenance

The lifetime of the DC bus capacitor can be estimated.

The capacitor's condition compared with its initial state can be confirmed.

A long-life cooling fan is included.

Use of a long-life cooling fan (design life: 7 years with an ambient temperature: 40 C) reduces maintenance work.

Cumulative running time is recorded and displayed.

The inverter records and displays the cumulative running time (lifetime) of the inverter itself, PCB, and cooling fan.

The alarm history for the 4 latest alarms is recorded.

Detailed information from back as far as the 4 latest alarms can also be checked.

It is possible to output lifetime forecast signal to the transistor output.

This signal is output when the capacitors in the DC bus circuit, the electrolytic capacitors on the PCB or the cooling fans are nearing the end of their service life.



Interface for peripheral devices and comprehensive protective functions

All models are equipped with an inrush current suppression circuit.

An inrush current suppression circuit is provided as standard in all models, so the cost of peripheral devices such as input magnetic contactors can be reduced.

A DC reactor (DCR) connection terminal is provided as standard.

A terminal for connection of a DCR, necessary for suppressing harmonics, is provided in all models.

Input/output phase loss protective function

It is possible to detect output phase loss at all times during starting and operation.

Sink/Source can be switched.

The input/output mode (Sink/Source) of the digital input terminals can be switched by means of an internal jumper switch.

The motor can be protected by a PTC thermistor.

In addition to the protection by an electronic thermal relay, the motor is protected by a PTC thermistor input.



Flexible through optionals

Function code copy function

The optional remote keypad panel includes a built-in copy function, so function codes can be set easily in duplicate units.

Inverter support loader software is available.

The inverter support loader program (Windows based), which simplifies setting of function codes, is provided.

Mounting on DIN rail

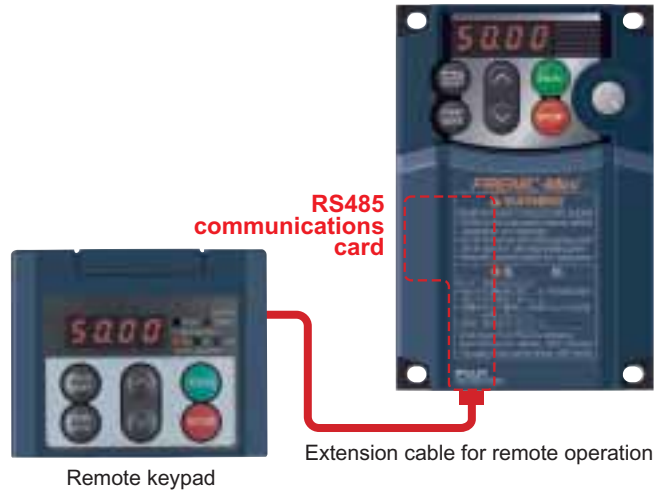
Using the rail mounting base (option), the inverter can be easily mounted on a DIN rail (35mm wide).

Replacement of older models with new ones is simple.

The latest models can be mounted without drilling additional holes by use of the mounting adapter (option).

Remote operation is possible.

Remote operation can be done easily using the optional RS485 communications card, remote keypad and remote operation extension cable.



Wide variations

A 400V series, in addition to the 200V series (single-phase, three-phase), is available.

Models with EMC filter built-in type and with braking resistor built-in type are also available.

Type1 (NEMA1) conformed model is available by attaching optional parts.



Global products

All standard models comply with the EC Directive (CE marking), UL standards and Canadian standards (cUL certification).

All standard FRENIC-Mini inverters comply with European and North American/Canadian standards, enabling standardization of the specifications for machines and equipment used at home and abroad.

If the model with built-in EMC filter is used, the model conforms to the European EMC Directive.

Europe
EC Directives (CE marking), TÜV



North America/Canada
UL standard (cUL certification)





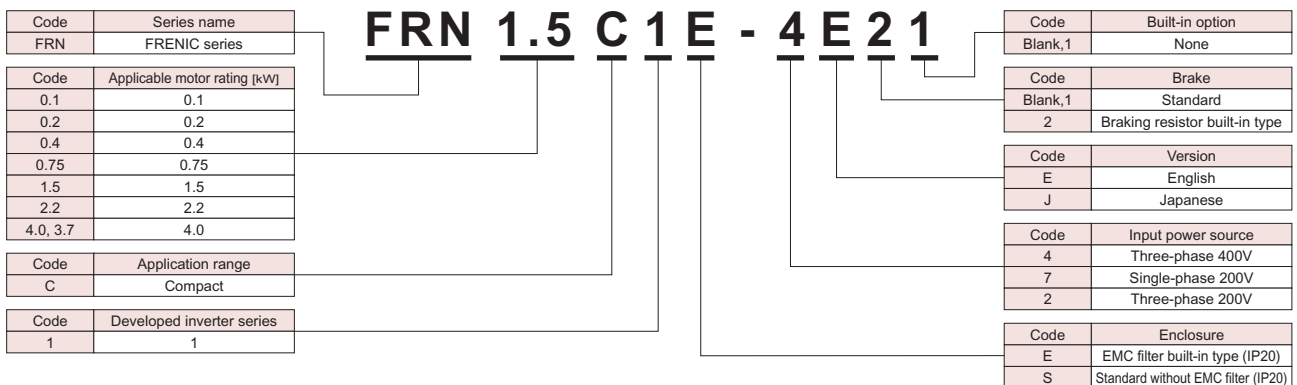
In addition to the single-phase 200V and three-phase 200V, three-phase 400V series has been newly introduced, broadening the model selection range. Model variations include EMC filter built-in type and braking resistor built-in type.

Applicable motor rating	Three-phase 400V series	Single-phase 200V series	Three-phase 200V series
Standard specifications			
EMC filter built-in type			
0.1		FRN0.1C1E-7E	FRN0.1C1E-2J
0.2		FRN0.2C1E-7E	FRN0.2C1E-2J
0.4	FRN0.4C1E-4E	FRN0.4C1E-7E	FRN0.4C1E-2J
0.75	FRN0.75C1E-4E	FRN0.75C1E-7E	FRN0.75C1E-2J
1.5	FRN1.5C1E-4E	FRN1.5C1E-7E	FRN1.5C1E-2J
2.2	FRN2.2C1E-4E	FRN2.2C1E-7E	FRN2.2C1E-2J
4.0	FRN4.0C1E-4E		FRN3.7C1E-2J
Semi-standard specifications			
Without EMC filter type			
0.1		FRN0.1C1S-7E	FRN0.1C1S-2J
0.2		FRN0.2C1S-7E	FRN0.2C1S-2J
0.4	FRN0.4C1S-4E	FRN0.4C1S-7E	FRN0.4C1S-2J
0.75	FRN0.75C1S-4E	FRN0.75C1S-7E	FRN0.75C1S-2J
1.5	FRN1.5C1S-4E	FRN1.5C1S-7E	FRN1.5C1S-2J
2.2	FRN2.2C1S-4E	FRN2.2C1S-7E	FRN2.2C1S-2J
4.0	FRN4.0C1S-4E		FRN3.7C1S-2J
Braking resistor built-in type (Without EMC filter)			
1.5	FRN1.5C1S-4E21		FRN1.5C1S-2J21
2.2	FRN2.2C1S-4E21		FRN2.2C1S-2J21
4.0	FRN4.0C1S-4E21		FRN3.7C1S-2J21

Type1 (NEMA1) conformed model is available by attaching optional parts.

How to read the model number

The Compact Inverter *FRENIC-Mini*



Note) If Built-in option is None and Brake is Standard, the model numbers are indicated in the same format as those of the above standard specifications.

Standard Specifications

EMC filter built-in type

The Compact Inverter **FRENIC-Mini**

Three-phase series

Item		Specifications													
Input power source		Three-phase 400V					Three-phase 200V								
Type (FRN□□□C1E-□E/J)		FRN0.4 C1E-4E	FRN0.75 C1E-4E	FRN1.5 C1E-4E	FRN2.2 C1E-4E	FRN4.0 C1E-4E	FRN0.1 C1E-2J	FRN0.2 C1E-2J	FRN0.4 C1E-2J	FRN0.75 C1E-2J	FRN1.5 C1E-2J	FRN2.2 C1E-2J	FRN3.7 C1E-2J		
Applicable motor rating *1)		kW													
Rated capacity *2)		kVA													
Rated voltage *3)		V													
Rated current *4)		A													
Overload capability		150% of rated current for 1min, 200% of rated current for 0.5s													
Rated frequency		50, 60Hz													
Phases, voltage, frequency		Three-phase, 380 to 480V, 50/60Hz					Three-phase, 200 to 240V, 50/60Hz								
Voltage/frequency variations		Voltage: +10 to -15% (Voltage unbalance *10) : 2% or less) Frequency: +5 to -5%													
Momentary voltage dip capability *5)		When the input voltage is 300V or more, the inverter continues operation. If it drops below 300V, the inverter operates for 15ms.					When the input voltage is 165V or more, the inverter continues operation. If it drops below 165V, the inverter operates for 15ms.								
Rated current *6)		A													
		(with DCR)		0.85	1.6	3.0	4.4	7.3	0.57	0.93	1.6	3.0	5.7	8.3	14.0
		(without DCR)		1.7	3.1	5.9	8.2	13.0	1.1	1.8	3.1	5.3	9.5	13.2	22.2
Required power supply capacity *7)		kVA													
Torque *8)		%													
Torque *9)		%													
DC injection braking		Starting frequency: 0.0 to 60.0Hz Braking time: 0.0 to 30.0s Braking level: 0 to 100% of rated current													
Enclosure (IEC 60529)		IP20, UL open type *11)													
Cooling method		Natural cooling					Fan cooling					Natural cooling		Fan cooling	
Weight / Mass		kg													

Single-phase series

Item		Specifications							
Input power source		Single-phase 200V							
Type (FRN□□□C1E-7E)		FRN0.1 C1E-7E	FRN0.2 C1E-7E	FRN0.4 C1E-7E	FRN0.75 C1E-7E	FRN1.5 C1E-7E	FRN2.2 C1E-7E		
Applicable motor rating *1)		kW							
Rated capacity *2)		kVA							
Rated voltage *3)		Three-phase, 200V/50Hz, 200, 220, 230V/60Hz							
Rated current *4)		A							
Overload capability		150% of rated current for 1min, 200% of rated current for 0.5s							
Rated frequency		50, 60Hz							
Phases, voltage, frequency		Single-phase, 200 to 240V, 50/60Hz							
Voltage/frequency variations		Voltage: +10 to -10%, Frequency: +5 to -5%							
Momentary voltage dip capability *5)		When the input voltage is 165V or more, the inverter continues operation. If it drops below 165V, the inverter operates for 15ms.							
Rated current *6)		A							
		(with DCR)		1.1	2.0	3.5	6.4	11.6	17.5
		(without DCR)		1.8	3.3	5.4	9.7	16.4	24.8
Required power supply capacity *7)		kVA							
Torque *8)		%							
Torque *9)		%							
DC injection braking		Starting frequency: 0.0 to 60.0Hz Braking time: 0.0 to 30.0s Braking level: 0 to 100% of rated current							
Enclosure (IEC 60529)		IP20, UL open type *11)							
Cooling method		Natural cooling				Fan cooling			
Weight / Mass		kg							

*1) Fuji's 4-pole standard motor

*2) Rated capacity is calculated by regarding the output rated voltage as 220V for three-phase 200V and single-phase 200V series, and as 440V for three-phase 400V series.

*3) Output voltage cannot exceed the power supply voltage.

*4) Use the inverter at the current given in () or below when the carrier frequency setting is higher than 4kHz (F26: 4 to 5) or the ambient temperature is 40°C or higher.

*5) Tested under the standard load condition (85% load for nominal applied motor).

*6) Calculated under Fuji-specified conditions.

*7) Obtained when a DC REACTOR (option) is used.

*8) Average braking torque obtained with AVR control OFF (Varies with the efficiency of the motor.)

*9) Average braking torque obtained by use of external braking resistor (standard type available as option)

*10) Voltage unbalance [%] = $\frac{\text{Max voltage [V]} - \text{Min voltage [V]}}{\text{Three-phase average voltage [V]}} \times 67$ (IEC 61800-3 (5.2.3))

If this value is 2 to 3%, use AC REACTOR (ACR).

*11) NEMA1 kit (option) is required for the enclosure conforming to the UL standard TYPE1 (NEMA1). Use the inverter in the ambient temperature range from -10 to +40°C.



Without EMC filter type

The Compact Inverter FRENIC-Mini

Three-phase series

Item		Specifications																
Input power source		Three-phase 400V						Three-phase 200V										
Type (FRN□□□C1S-□EJ)		FRN0.4 C1S-4E	FRN0.75 C1S-4E	FRN1.5 C1S-4E	FRN2.2 C1S-4E	FRN4.0 C1S-4E	FRN0.1 C1S-2J	FRN0.2 C1S-2J	FRN0.4 C1S-2J	FRN0.75 C1S-2J	FRN1.5 C1S-2J	FRN2.2 C1S-2J	FRN3.7 C1S-2J					
Applicable motor rating *1)		kW		0.4	0.75	1.5	2.2	4.0	0.1	0.2	0.4	0.75	1.5	2.2	4.0			
Output ratings	Rated capacity *2)		kVA		1.1	1.9	2.8	4.1	6.8	0.30	0.57	1.1	1.9	3.0	4.2	6.5		
	Rated voltage *3)		V		Three-phase, 380, 400, 415V/50Hz, 380, 400, 440, 460V/60Hz						Three-phase, 200V/50Hz, 200, 220, 230V/60Hz							
	Rated current *4)		A		1.5	2.5	3.7	5.5	9.0	0.8 (0.7)	1.5 (1.4)	3.0 (2.5)	5.0 (4.2)	8.0 (7.0)	11.0 (10.0)	17.0 (16.5)		
Overload capability		150% of rated current for 1min, 200% of rated current for 0.5s																
Rated frequency		50, 60Hz																
Phases, voltage, frequency		Three-phase, 380 to 480V, 50/60Hz						Three-phase, 200 to 240V, 50/60Hz										
Voltage/frequency variations		Voltage: +10 to -15% (Voltage unbalance *10) : 2% or less						Frequency: +5 to -5%										
Momentary voltage dip capability *5)		When the input voltage is 300V or more, the inverter continues operation. If it drops below 300V, the inverter operates for 15ms.						When the input voltage is 165V or more, the inverter continues operation. If it drops below 165V, the inverter operates for 15ms.										
Rated current *6)		A		(with DCR)		0.85	1.6	3.0	4.4	7.3	0.57	0.93	1.6	3.0	5.7	8.3	14.0	
				(without DCR)		1.7	3.1	5.9	8.2	13.0	1.1	1.8	3.1	5.3	9.5	13.2	22.2	
Required power supply capacity *7)		kVA		0.6	1.1	2.0	2.9	4.9	0.2	0.3	0.6	1.1	2.0	2.9	4.9			
Braking	Torque *8)		%		100		50		30		150		100		50		30	
	Torque *9)		%		150						—		150					
	DC injection braking		Starting frequency: 0.0 to 60.0Hz Braking time: 0.0 to 30.0s Braking level: 0 to 100% of rated current															
Enclosure (IEC 60529)		IP20, UL open type *11)																
Cooling method		Natural cooling				Fan cooling				Natural cooling				Fan cooling				
Weight / Mass		kg		1.1	1.2	1.7	1.7	2.3	0.6	0.6	0.6	0.7	1.7	1.7	2.3			

Single-phase series

Item		Specifications										
Input power source		Single-phase 200V										
Type (FRN□□□C1S-7E)		FRN0.1 C1S-7E	FRN0.2 C1S-7E	FRN0.4 C1S-7E	FRN0.75 C1S-7E	FRN1.5 C1S-7E	FRN2.2 C1S-7E					
Applicable motor rating *1)		kW		0.1	0.2	0.4	0.75	1.5	2.2			
Output ratings	Rated capacity *2)		kVA		0.30	0.57	1.1	1.9	3.0	4.1		
	Rated voltage *3)		V		Three-phase, 200V/50Hz, 200, 220, 230V/60Hz							
	Rated current *4)		A		0.8 (0.7)	1.5 (1.4)	3.0 (2.5)	5.0 (4.2)	8.0 (7.0)	11.0 (10.0)		
Overload capability		150% of rated current for 1 min, 200% of rated current for 0.5s										
Rated frequency		50, 60Hz										
Phases, voltage, frequency		Single-phase, 200 to 240V, 50/60Hz										
Voltage/frequency variations		Voltage: +10 to -10% Frequency: +5 to -5%										
Momentary voltage dip capability *5)		When the input voltage is 165V or more, the inverter continues operation. If it drops below 165V, the inverter operates for 15ms.										
Rated current *6)		A		(with DCR)		1.1	2.0	3.5	6.4	11.6	17.5	
				(without DCR)		1.8	3.3	5.4	9.7	16.4	24.8	
Required power supply capacity *7)		kVA		0.3	0.4	0.7	1.3	2.4	3.5			
Braking	Torque *8)		%		150		100		50		30	
	Torque *9)		%		—						150	
	DC injection braking		Starting frequency: 0.0 to 60.0Hz Braking time: 0.0 to 30.0s Braking level: 0 to 100% of rated current									
Enclosure (IEC 60529)		IP20, UL open type *11)										
Cooling method		Natural cooling						Fan cooling				
Weight / Mass		kg		0.6	0.6	0.6	0.8	1.7	2.3			

*1) Fuji's 4-pole standard motor

*2) Rated capacity is calculated by regarding the output rated voltage as 220V for three-phase 200V and single-phase 200V series, and as 440V for three-phase 400V series.

*3) Output voltage cannot exceed the power supply voltage.

*4) Use the inverter at the current given in () or below when the carrier frequency setting is higher than 4kHz (F2G: 4 to 15) or the ambient temperature is 40°C or higher.

*5) Tested under the standard load condition (85% load for nominal applied motor).

*6) Calculated under Fuji-specified conditions.

*7) Obtained when a DC REACTOR (option) is used.

*8) Average braking torque obtained with AV/R control OFF (Varies with the efficiency of the motor.)

*9) Average braking torque obtained by use of external braking resistor (standard type available as option)

*10) Voltage unbalance [%] = $\frac{\text{Max voltage [V]} - \text{Min voltage [V]}}{\text{Three-phase average voltage [V]}} \times 67$ (IEC 61800-3 (5.2.3))

If this value is 2 to 3%, use AC REACTOR (ACR).

*11) NEMA1 kit (option) is required for the enclosure conforming to the UL standard TYPE1 (NEMA1).

Use the inverter in the ambient temperature range from -10 to +40°C.

Semi-standard Specifications

Braking resistor built-in type (Without EMC filter)

The Compact Inverter *FRENIC-Mini*

Item		Specifications							
Input power source		Three-phase 400V			Three-phase 200V				
Type (FRN□□□C1S-□EJ21)		FRN1.5 C1S-4E21	FRN2.2 C1S-4E21	FRN4.0 C1S-4E21	FRN1.5 C1S-2J21	FRN2.2 C1S-2J21	FRN3.7 C1S-2J21		
Applicable motor rating *1)		kW	1.5	2.2	4.0	1.5	2.2	4.0	
Output ratings	Rated capacity *2)	kVA	2.8	4.1	6.8	3.0	4.1	6.4	
	Rated voltage *3)	V	Three-phase, 380, 400, 415V/50Hz, 380, 400, 440, 460V/60Hz			Three-phase, 200V/50Hz, 200, 220, 230V/60Hz			
	Rated current *4)	A	3.7	5.5	9.0	8.0 (7.0)	11.0 (10.0)	17.0 (16.5)	
	Overload capability	150% of rated current for 1min, 200% of rated current for 0.5s							
	Rated frequency	50, 60Hz							
Input ratings	Phases, voltage, frequency		Three-phase, 380 to 480V, 50/60Hz			Three-phase, 200 to 240V, 50/60Hz			
	Voltage/frequency variations		Voltage: +10 to -15% (Voltage unbalance *10) : 2% or less)			Frequency: +5 to -5%			
	Momentary voltage dip capability *5)		When the input voltage is 300V or more, the inverter continues operation. If it drops below 300V, the inverter operates for 15ms.			When the input voltage is 165V or more, the inverter continues operation. If it drops below 165V, the inverter operates for 15ms.			
	Rated current *6)	(with DCR)	A	3.0	4.4	7.3	5.7	8.3	14.0
		(without DCR)	A	5.9	8.2	13.0	9.5	13.2	22.2
Required power supply capacity *7)		kVA	2.0	2.9	4.9	2.0	2.9	4.9	
Braking	Torque *8)		%	150	100	100	150	100	100
	Braking time		s	18	12	8	18	12	8
	Duty cycle		%	3	2	1.5	3	2	1.5
	DC injection braking		Starting frequency: 0.0 to 60.0Hz Braking time: 0.0 to 30.0s Braking level: 0 to 100% of rated current						
Enclosure (IEC 60529)		IP20, UL open type *11)							
Cooling method		Fan cooling							
Weight / Mass		kg	1.8	1.8	2.5	1.8	1.8	2.5	

*1) Fuji's 4-pole standard motor

*2) Rated capacity is calculated by regarding the output rated voltage as 220V for three-phase 200V series, and as 440V for three-phase 400V series.

*3) Output voltage cannot exceed the power supply voltage.

*4) Use the inverter at the current given in () or below when the carrier frequency setting is higher than 4kHz (F2S: 4 to 15) or the ambient temperature is 40°C or higher.

*5) Tested under the standard load condition (85% load for nominal applied motor).

*6) Calculated under Fuji-specified conditions.

*7) Obtained when a DC REACTOR (option) is used.

*8) Average braking torque obtained with AVR control OFF (Varies with the efficiency of the motor.)

*9) Average braking torque obtained by use of external braking resistor (standard type available as option)

*10) Voltage unbalance [%] = $\frac{\text{Max voltage [V]} - \text{Min voltage [V]}}{\text{Three-phase average voltage [V]}} \times 67$ (IEC 61800-3 (5.2.3))

If this value is 2 to 3%, use AC REACTOR (ACR).

*11) NEMA1 kit (option) is required for the enclosure conforming to the UL standard TYPE1 (NEMA1).

Use the inverter in the ambient temperature range from -10 to +40°C.

Common specifications



The Compact Inverter FRENIC-Mini

Item		Explanation	Remarks	Related function code	
Output frequency	Maximum frequency	25 to 400Hz	For operation at 120Hz or more, test the inverter in advance by combining it with the motor.	F03	
	Base frequency	25 to 400Hz	For operation at 120Hz or more, test the inverter in advance by combining it with the motor.	F04	
	Starting frequency	0.1 to 60.0Hz		F23	
	Carrier frequency	0.75 to 15kHz	Frequency may drop automatically to protect the inverter running at 7kHz or more. This protective operation can be canceled by function code H98.	F26,F27 H98	
	Accuracy(Stability)	Analog setting: -0.2% of maximum frequency (at 25-10 C) Digital setting: -0.01% of maximum frequency (at -10 to +50 C)			
	Setting resolution	Analog setting: 1/1000 of maximum frequency (ex. 0.06Hz at 60Hz, 0.4Hz at 400Hz) Keypad setting: 0.01Hz (99.99Hz or less), 0.1Hz (100.0Hz or more) Link setting: Selectable from 2 types 1/2000 of maximum frequency (ex. 0.003Hz at 60Hz, 0.02Hz at 400Hz) 0.01Hz (fixed)	Includes the potentiometer on the keypad. Setting with keys.		
Control	Control method	V/f control (Simplified torque-vector control)			
	Voltage/freq. characteristic	Possible to set output voltage at base frequency and at maximum output frequency (common spec). AVR control can be turned ON or OFF (Factory setting: OFF).	Three-phase 200V, single-phase 200V: 80 to 240V Three-phase 400V: 160 to 500V	F03 to F05	
	(Non-linear V/f setting)	1 point (Desired voltage and frequency can be set.)		H50,H51	
	Torque boost	Torque boost can be set with the function code F09.	Set when 0, 1, 3, or 4 is selected at F37.	F09,F37	
	(Load selection)	Select application load type with the function code F37. 0: Variable torque load 1: Constant torque load 2: Auto torque boost 3: Auto energy-save operation (variable torque load in acceleration/deceleration) 4: Auto energy-save operation (constant torque load in acceleration/deceleration) 5: Auto energy-save operation (auto torque boost in acceleration/deceleration)		F09,F37	
	Starting torque	150% or over (Auto torque boost in 5Hz operation)			
	Start/stop	Keypad operation: Start (FWD/REV) and stop with keys		Remote keypad (available soon) is also usable.	F02
		External signals (5 digital inputs): FWD, REV, coast to stop command, etc.			
		Link operation: Communication via RS485		RS485 communication function is optional.	H30,y01 to y10 y99
	Frequency setting	Can be set with built-in potentiometer (standard)		Remote keypad (available soon) is also usable.	F01, C30
		Can be set with or key			
		Can be set with external potentiometer (1 to 5kΩ)		Connected to analog input terminals 13, 12, 11. Potentiometer must be provided.	F01, C30
		Analog input	Can be set with external voltage/current output 0 to +10V DC (0 to +5V DC)/0 to 100% (terminal 12) +4 to +20mA DC/0 to 100% (terminal C1)		F18,C32 to C34 F18,C37 to C39
		(Inverse operation)	Can be reversed with digital input signal (IVS) +10 to 0V DC (+5 to 0V DC)/0 to 100% (terminal 12) +20 to +4mA DC/0 to 100% (terminal C1)		E01 to E03 E98,E99
		Multistep frequency: Selectable from 8 steps (step 0 to 7)			C05 to C11
	Link operation: Can be set with communication via RS485		RS485 communication function is optional.	H30,y01 to y10	
Running status signal	Transistor output (1 point) : RUN, FAR, FDT, LU, etc.			E20	
	Relay output (1 point) : Alarm relay output or multipurpose relay output signal				
	Analog output (1 point) : Output frequency, output current, output voltage, input power, etc.			F30,F31	
Acceleration/ deceleration time	0.00 to 3600s *If 0.00s is set, the time setting is cancelled and acceleration and deceleration is made according to the pattern given with an external signal.			F07,F08	
	Acceleration and deceleration time can be independently set and selected with digital input signal (1 point).			E10,E11	
	(Pattern) Acceleration and deceleration pattern can be selected from 4 types: Linear, S-curve (weak), S-curve (strong), Non-linear			H07	
Frequency limiter	High and Low limiters can be set.			F15 F16	
Bias frequency	Bias of set frequency and PID command can be independently set.			F18 C50 to C52	
Gain for frequency setting	Proportional relation between analog input signal and output frequency can be set. Ex. When voltage input signal is between 0 and +5V DC, the inverter can be used at +5V DC/max output frequency by setting gain to 200%.		Voltage signal (terminal 12) and current signal (terminal C1) can be set independently.	C32 to C39	
Jump frequency control	3 operation points and their common jump hysteresis width (0 to 30Hz) can be set.			C01 to C04	
Jogging operation	Can be operated using digital input signal or keypad. Acceleration and deceleration time (same duration used only for jogging) can be set. Jogging frequency: 0.00 to 400.0Hz			H54 C20	
Timer operation	Operation starts and stops at the time set from keypad (1 cycle).			C21	
Auto-restart after momentary power failure	Restarts the inverter without stopping the motor after instantaneous power failure.			F14	
Slip compensation	Compensates for decrease in speed according to the load, enabling stable operation.			P09	
Current limit	Keeps the current under the preset value during operation.			F43,F44	

Common Specifications

Common specifications

The Compact Inverter **FRENIC-Mini**

Item	Explanation	Remarks	Related function code									
Control	PID control	PID control is possible using analog input signals. Inverse operation can be set using digital input signal (IVS) or the function code J01.	Select the control mode with J01.	J01								
		Process commands  ,  key operation: Set frequency[Hz]/Max frequency[Hz] x100[%] Built-in potentiometer Voltage input (terminal 12) : 0 to +10V DC/0 to 100% Current input (terminal C1) : +4 to +20mA DC/0 to 100% RS485 communication : Set frequency[Hz]/Max frequency[Hz] x100[%]	Select the kind of remote process command with J02, E60 to E62.	J02 E60 E61 E62 J02								
		Feedback signal Voltage input (terminal 12) : 0 to 10V DC/0 to 100% Current input (terminal C1) : +4 to +20mA DC/0 to 100%	Feedback signal can be selected with E61, E62.	E61 E62								
	Automatic deceleration	Makes the deceleration time 3 times longer to avoid OU trip when DC link circuit voltage exceeds the overvoltage limit. (Set at the function code H69 : 1.)	Trip may occur even when deceleration time is prolonged if the moment of inertia is large. This function does not come ON during constant speed operation.	H69								
	Overload prevention control	Prevents tripping before the inverter becomes overloaded.		H70								
Energy saving operation	Minimizes motor losses at light load. Can be set in accordance with the kind of load (variable torque load, constant torque load, auto torque boost).		F37									
Fan stop operation	Detects inverter internal temperature and stops cooling fan when the temperature is low.		H06									
Indication	Running	Speed monitor, output current [A], output voltage [V], input power [kW], PID reference, PID feedback value ◆Select the speed monitor to be displayed from the following: Output frequency (before slip compensation) [Hz], output frequency (after slip compensation) [Hz], set frequency [Hz], motor speed [r/min], Load shaft speed [r/min], line speed [m/min], constant rate of feeding time[min].	Speed monitor can display the speed set at E48.	H43 H48								
	Stopping	Displays the same contents as displayed during running.	Same as above	Same as above								
	Trip mode	Displays the cause of trip by codes as follows. OC1 : Overcurrent during acceleration OC2 : Overcurrent during deceleration OC3 : Overcurrent at constant speed LO : Input phase loss LU : Undervoltage OPL : Output phase loss OU1 : Overvoltage during acceleration OU2 : Overvoltage during deceleration OU3 : Overvoltage during constant speed OH1 : Overheating of the heat sink OH2 : External thermal relay tripped OH4 : Motor protection (PTC thermistor) dbH : Overheating of the DB circuit OL1 : Motor overload OLU : Inverter unit overload Er1 : Memory error Er2 : KEYPAD communication error Er3 : CPU error Er6 : Operation procedure error Er8 : RS485 error ErF : Data save error due to undervoltage	For details, refer to the protective functions (p.22).									
	Running or trip mode	Trip history: Saves and displays the last 4 trip codes and their detailed description. (Even with the main power off, trip history data of the last 4 trips are retained.)	For details, refer to the instruction manual or FRENIC-Mini User's Manual.									
Protection	Overcurrent (Short-circuit) (Ground fault)	Protects and stops the inverter when the following overcurrent flows during acceleration, deceleration, or constant speed rotation: Overcurrent caused by overload Overcurrent caused by short-circuit in output circuit Overcurrent caused by ground fault	Ground fault can be detected at starting.									
	Overvoltage	Stops the inverter by detecting overvoltage in DC link circuit during braking.	200V series: 400V DC 400V series: 800V DC									
	Incoming surge	Protects the inverter from surge voltage entering between main circuit power cable and earth cable.										
	Undervoltage	Stops the inverter by detecting voltage drop in DC link circuit.	200V series: 200V DC 400V series: 400V DC Details of operation can be selected with the function code F14.	F14								
	Input phase loss	Detects input phase loss to shut down the inverter. This function prevents the inverter from undergoing heavy stress that may be caused by input phase loss or interphase unbalance voltage exceeding 6%, which may damage the inverter. If the connected load is light or a DC reactor is connected to the inverter, this function will not detect input phase loss if any.	Non-operation is also selectable.	H98								
	Output phase loss	Detects breaks in inverter output wiring at the start of running and during running, stopping the inverter output.	Non-operation is also selectable.	H98								
	Overheating (Heat sink) (Braking resistor)	Stops the inverter by detecting inverter heat sink temperature. Stops the inverter and built-in braking transistor if "discharging capability" or "average allowable loss" set for the braking resistor is exceeded more frequently than the set number of times.		F50,F51								
	Overload	Stops the inverter by detecting the output current and internal temp. To calculate the IGBT internal temp.										
	Motor protection	(Electronic thermal) (PTC thermistor)	Stops the inverter to protect the motor when the set output current is exceeded.	Thermal time constant can be adjusted (0.5 to 75.0min).	F10 to F12							
		(Overload early warning)	A PTC thermistor input stops the inverter to protect the motor. Warning signal can be output based on the set level before the inverter trips.	Related transistor output: OL	H26,H27 E34,E35							
Retry function	When the motor is tripped and stopped, this function automatically resets the tripping state and restarts operation. Activated when the motor is tripped with the following trip codes: OC1, OC2, OC3, OU1, OU2, OU3, OH1, OH4, dbH, OL, OLU	Waiting time before resetting and the number of retry times can be set.	H04,H05									
Installation location	Shall be free from corrosive gases, flammable gases, oil mist, dusts, and direct sunlight. Indoor use only.	Pollution degree 2 when the Low Voltage Directives are used.										
Ambient temperature	-10 to +50°C	10 to 40°C when inverters are installed side by side without clearance.										
Ambient humidity	5 to 95%RH (no condensation)											
Environment	Altitude	<table border="1"> <thead> <tr> <th>Altitude [m]</th> <th>Output derating</th> </tr> </thead> <tbody> <tr> <td>1,000 or lower</td> <td>None</td> </tr> <tr> <td>1,001 to 2,000</td> <td>None</td> </tr> <tr> <td>2,001 to 3,000</td> <td>Decreases*</td> </tr> </tbody> </table>	Altitude [m]	Output derating	1,000 or lower	None	1,001 to 2,000	None	2,001 to 3,000	Decreases*	* If the altitude exceeds 2000m, insulate the interface circuit from the main power supply to conform to the Low Voltage Directives.	
	Altitude [m]	Output derating										
	1,000 or lower	None										
1,001 to 2,000	None											
2,001 to 3,000	Decreases*											
Vibration	3mm (vibration width): 2 to less than 9Hz, 9.8m/s ² : 9 to less than 20Hz 2m/s ² : 20 to less than 55Hz, 1m/s ² : 55 to less than 200Hz											
Storage	Amb. temp.	-25 to +70°C										
	Amb. humidity	5 to 95%RH (no condensation)										

Protective Functions

 The Compact Inverter **FRENIC-Mini**

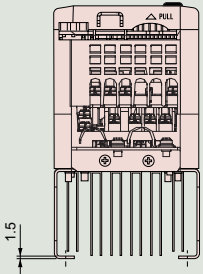
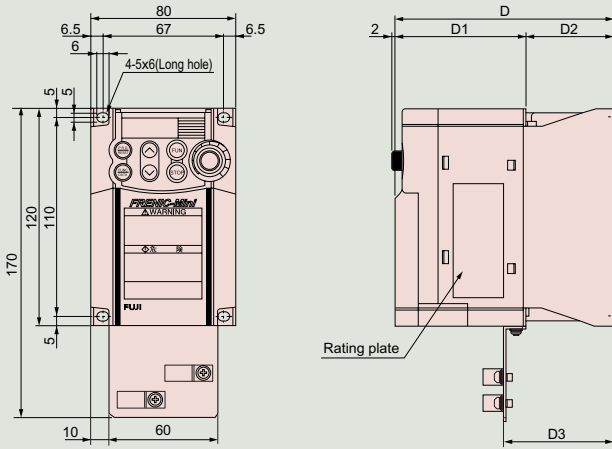
Function	Description	LED monitor	Alarm output (30A,B,C) Note)	Related function code	
Overcurrent Protection	Stops the inverter output to protect the inverter from an overcurrent resulting from overload. Stops the inverter output to protect the inverter from an overcurrent due to a short-circuit in the output circuit. Stops the inverter output to protect the inverter from an overcurrent due to a ground fault in the output circuit. This protection is effective only when the inverter starts. If you turn on the inverter without removing the ground fault, this protection may not work.	During acceleration	OC1	○	
		During deceleration	OC2		
		While running at constant speed	OC3		
Overvoltage protection	The inverter stops when it detects an overvoltage (400V DC in a 200V series, 800V DC in a 400V series) in the DC link circuit. Protection is not assured if excess AC line voltage is applied inadvertently.	During acceleration	OU1	○	
		During deceleration	OU2		
		While running at constant speed(Stopped)	OU3		
Undervoltage protection	Stops the inverter when the DC link circuit voltage drops below the undervoltage level (200V DC in a 200V series, 400V DC in a 400V series). However, if "4 or 5" is selected for F14, no alarm is output even if there is a drop in the DC link circuit voltage.	LU	△	F14	
Input phase loss protection	Detects input phase loss, stopping the inverter output. This function prevents the inverter from undergoing heavy stress that may be caused by input phase loss or interphase voltage unbalance exceeding 6% and may damage the inverter. If connected load is light or a DC reactor is connected to the inverter, this function will not detect input phase loss if any. In single-phase series of inverters, this function is disabled by factory default.	Lin	○	H98	
Output phase loss protection	Detects breaks in inverter output wiring at the start of running and during running, stopping the inverter output.	OPL	○	H98	
Overheat protection	Inverter	Stops the inverter when it detects excess heat sink temperature in case of cooling fan failure or overload.	OH1	○	H43
	Braking resistor	When the built-in or external braking resistor overheats, the inverter stops running. * It is necessary to set the function code corresponding to the braking resistor used (built-in or external).	dBH	○	F50,F51
Overload protection	Calculates the IGBT internal temperature from the output current and internal temperature detection, stopping the inverter.	OLU	○		
Motor protection	Electronic thermal overload relay	The inverter stops running the motor to protect the motor in accordance with the electronic thermal function setting.	OL1	○	F10
		Protection of a standard motor over the entire frequency range. Protects the inverter motor over the entire frequency range. * The operation level and thermal time constant can be set.			
	PTC thermistor	A PTC thermistor input stops the inverter to protect the motor. A PTC thermistor is connected between terminals C1 and 11, and a 1kΩ external resistor is connected between terminals 13 and C1.	OH4	○	F11,F12 H26,H27
Overload early warning	Outputs a preliminary alarm at a preset level before the inverter is stopped by the electronic thermal function for the purpose of protecting the motor.	—	—	E34,E35	
Stall prevention	Operates when the instantaneous overcurrent hits the set limit. Instantaneous overcurrent limit: Operates if the inverter output current exceeds the instantaneous overcurrent limit to prevent the inverter from tripping (during acceleration or negative constant speed operation).	—	—	H12	
External alarm input	Stops the inverter with an alarm through the digital input signal (THR).	OH2	○	E01 to E03 E98, E99	
Alarm relay output (for any fault)	The inverter outputs a relay contact signal when the inverter issues an alarm and stopped. <Alarm reset> The alarm stop state is reset by pressing the key or by the digital input signal (RST). <Saving the alarm history and detailed data> The information on the previous 4 alarms can be saved and displayed.	—	○	E20,E27 E01 to E03 E98,E99	
Memory error	The inverter checks memory data after power-on and when the data is written. If a memory error is detected, the inverter stops.	Er1	○		
Remote keypad communication error	The inverter stops by detecting a communication error between the inverter and the remote keypad (option) during operation from the remote keypad.	Er2	○	F02	
CPU error	If the inverter detects a CPU error caused by noise or some other factor, the inverter stops.	Er3	○		
Operation error	STOP key priority	Pressing key on the keypad forces the inverter to decelerate and stop the motor even if the inverter is running by any run commands given via the terminals or communications (link operation). After the motor stops, the inverter issues alarm "Er6."	Er6	○	H96
	Start check function	Inverters prohibit any run operations and displays "Er6" on the LED of keypad if any run command is given when: Powering up Releasing an alarm (key turned on) Link command (LE) has switched inverter operations			
RS485 communication error	On detecting an RS485 communication error, the inverter displays the error code.	Er8	○		
Data save error during undervoltage	If the data could not be saved during activation of the undervoltage protection function, the inverter displays the error code.	ErF	○		

Note) A △ in the alarm output (30A,B,C) column indicates that there are cases where an alarm is not output in accordance with the function code.

External Dimensions

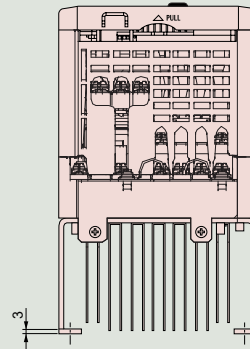
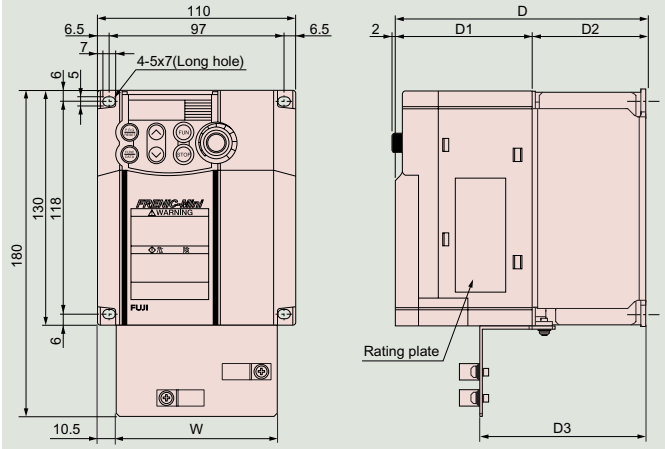
EMC filter built-in type

Fig. 1



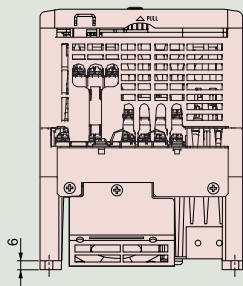
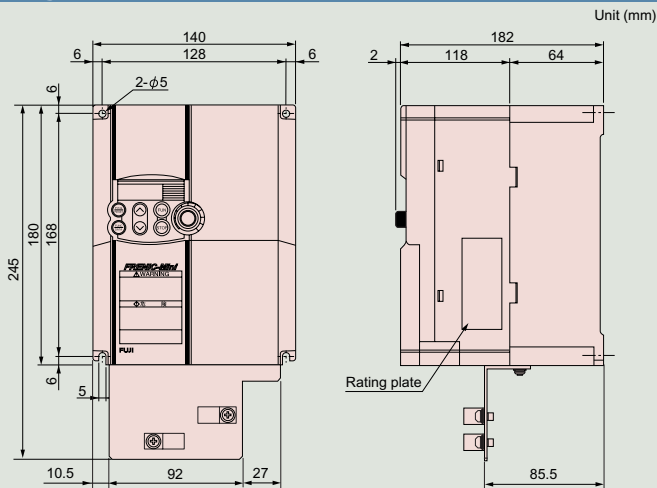
Power supply voltage	Type	Dimensions (mm)			
		D	D1	D2	D3
Single-phase 200V	FRN0.1C1E-7E	100	90	10	21.2
	FRN0.2C1E-7E	115		25	36.2
	FRN0.4C1E-7E				
Three-phase 200V	FRN0.1C1E-2J	100	90	10	21.2
	FRN0.2C1E-2J	115		25	36.2
	FRN0.4C1E-2J				
	FRN0.75C1E-2J	140	50	50	61.2

Fig. 2



Power supply voltage	Type	Dimensions (mm)				
		W	D	D1	D2	D3
Three-phase 400V	FRN0.4C1E-4E	89	158	118	40	61.5
	FRN0.75C1E-4E		182		64	85.5
Single-phase 200V	FRN0.75C1E-7E	60	139	99	40	55.2

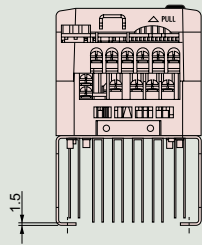
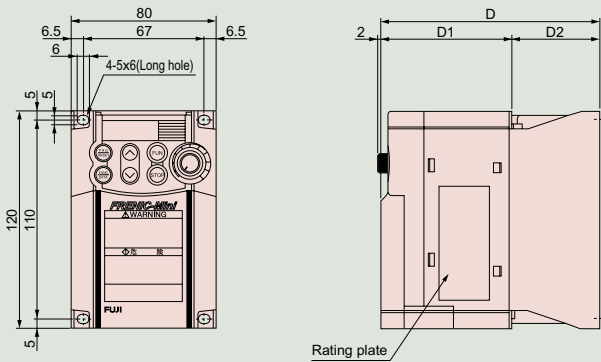
Fig. 3



Power supply voltage	Type
Three-phase 400V	FRN1.5C1E-4E
	FRN2.2C1E-4E
	FRN4.0C1E-4E
Single-phase 200V	FRN1.5C1E-7E
	FRN2.2C1E-7E
Three-phase 200V	FRN1.5C1E-2J
	FRN2.2C1E-2J
	FRN3.7C1E-2J

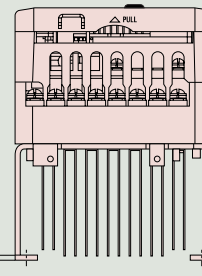
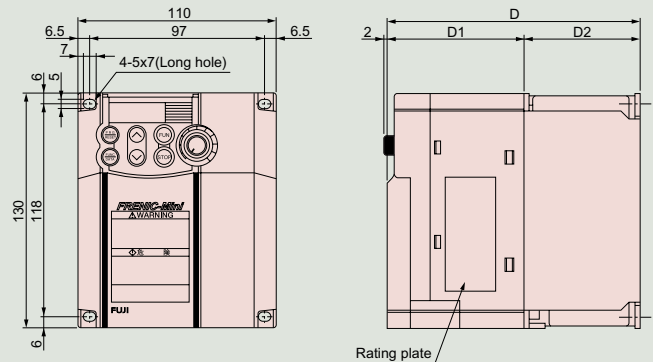
Without EMC filter type

Fig. 1



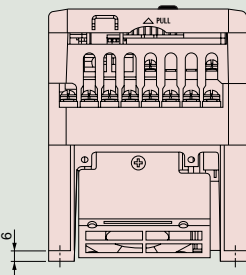
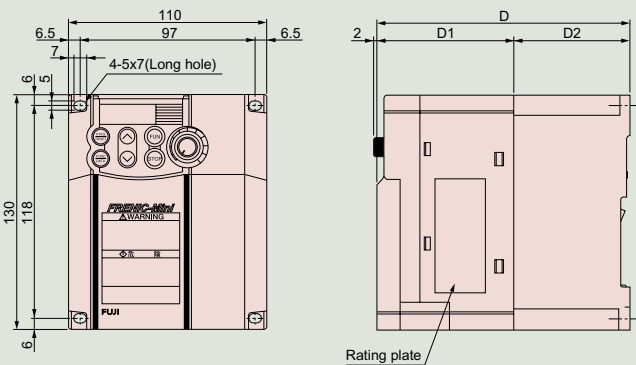
Power supply voltage	Type	Dimensions (mm)		
		D	D1	D2
Single-phase 200V	FRN0.1C1S-7E	80	70	10
	FRN0.2C1S-7E	95	70	25
	FRN0.75C1S-7E	140	90	50
Three-phase 200V	FRN0.1C1S-2J**	80	70	10
	FRN0.2C1S-2J**	95	70	25
	FRN0.75C1S-2J**	120	70	50

Fig. 2



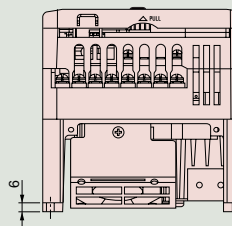
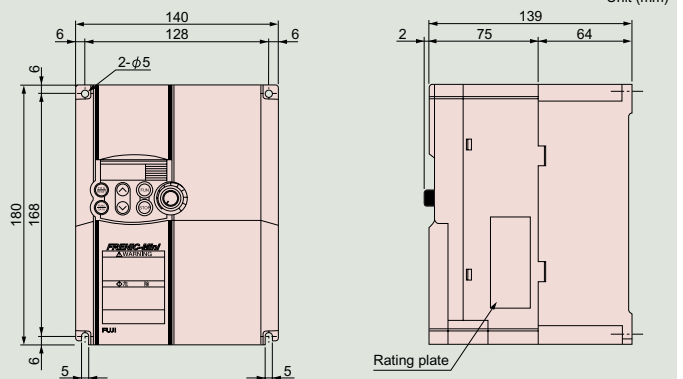
Power supply voltage	Type	Dimensions (mm)		
		D	D1	D2
Three-phase 400V	FRN0.4C1S-4E**	115	75	40
	FRN0.75C1S-4E**	139	75	64

Fig. 3



Power supply voltage	Type	Dimensions (mm)		
		D	D1	D2
Three-phase 400V	FRN1.5C1S-4E**	139	75	
	FRN2.2C1S-4E**	139	75	
Single-phase 200V	FRN1.5C1S-7E	149	85	64
Three-phase 200V	FRN1.5C1S-2J**	139	75	
	FRN2.2C1S-2J**	139	75	

Fig. 4



Power supply voltage	Type
Three-phase 400V	FRN4.0C1S-4E**
Single-phase 200V	FRN2.2C1S-7E
Three-phase 200V	FRN3.7C1S-2J**

Note) The symbols ** followed by the inverter type FRN□□□C1S-2E/J represent the following numeral codes:
 21 (Braking resistor built-in type), None (Standard)

Keypad Operations

Keypad switches and functions

The Compact Inverter *FRENIC-Mini*

LED monitor

When the motor is running or stopped:

The monitor displays the speed monitor (such as output frequency before slip compensation, after slip compensation, set frequency, motor speed, load shaft speed), output voltage, output current, output voltage, and input power.

Alarm mode:

The monitor shows the cause of trip with a fault code.

Program/Reset key

Used to change the mode.

Programming mode:

Used to shift the digit (cursor movement) to set function codes or data.

Alarm mode:

Resets a trip.

Function/Data select key

Used to change the LED monitor and to store the function codes and data.

Up/Down keys

During operation:

Used to increase or decrease the frequency or motor speed.

In data setting:

Used to increase or decrease the function code number or data set value.

Run key

Used to start the operation.

While the motor is stopped:

This key is invalid if the function code **F02** is set to **!** (operation by external signals).



Potentiometer

Used to set the frequency, or make auxiliary frequency setting 1, 2, and issue the PID process commands.

Stop key

Used to stop the operation.

During operation:

This key is invalid if the function code **F02** is set to **!** (operation by external signals).

The inverter stops when the function code **H95** is set to **!** or **3**.

Monitor display and key operation The keypad modes are classified in the following 3 modes.

The Compact Inverter *FRENIC-Mini*

Operation mode Monitor, keys		Programming mode		Running mode		Alarm mode
		STOP	RUN	STOP	RUN	
Monitor	Function 	Displays the function code or data code.		Displays the output frequency, set frequency, loaded motor speed, input power, output current, output voltage, and motor speed.		Displays the trip content or alarm history.
	Display	ON		Blinking	ON	
Keys	Function 	Switches to stop mode.	Switches to running mode.	Switches to programming mode (STOP).	Switches to programming mode (RUN).	Releases the trip and switches to stop mode.
	Function 	Changes the display between function code and data code, stores data code, and updates then function code.		Switches the LED monitor display.		Displays the operation information.
	Function 	Increases/decreases the function code number and data code.		Increases/decreases the frequency, motor speed, and line speed to be set.		Displays the alarm history.
	Function 	Invalid		Switches to running mode (RUN).	Invalid	Invalid
	Function 	Invalid	Switches to programming mode (STOP).	Invalid	Switches to running mode (STOP).	Invalid

This keypad supports a full menu mode which allows you to set or display the following information. Changed function code, operation monitor, I/O check, maintenance information, and trip information For details, refer to the FRENIC-Mini Instruction Manual or User's Manual.

Terminal Functions

The Compact Inverter **FRENIC-Mini**

	Symbol	Terminal name	Functions	Remarks	Related function code																																																	
Main circuit	L1/R, L2/S, L3/T	Power input	Connect a three-phase power supply.	Three-phase 200V, 400V series																																																		
	L1/L, □, L2/N		Connect a single-phase power supply. (□ indicates the empty terminal.)	Single-phase 200V, 100V series																																																		
	U, V, W	Inverter output	Connect a three-phase induction motor.																																																			
	P(+), P1	For DC REACTOR	Connect the DC REACTOR.																																																			
	P(+), N(-)	For DC bus connection	Used for DC bus connection system.																																																			
	P(+), DB	For EXTERNAL BRAKING RESISTOR	Used for connection of the optional external BRAKING RESISTOR.	Wiring is required for the braking resistor built-in type.																																																		
	⊕ G	Grounding	Ground terminal for inverter chassis	Two terminals are provided.																																																		
Analog input	13	Potentiometer power supply	+10V DC power supply for frequency setting potentiometer (1 to 5kΩ)	Allowable maximum output current: 10mA																																																		
	12	Voltage input	0 to +10V DC / 0 to 100% 0 to +5V DC / 0 to 100% or +1 to +5V DC / 0 to 100% can be selected by function setting.	Input impedance: 22kΩ Allowable maximum input voltage: 15V DC If input voltage is +10V DC or over, the inverter assumes it to be +10V DC.	F18, C32 to C34																																																	
			(Inverse operation)			+10 to +0V DC / 0 to 100% (switchable by digital input signal)																																																
			(PID control)			Used for reference signal (PID process command) or PID feedback signal.																																																
		(Frequency aux. setting)	Used as additional auxiliary setting to various main settings of frequency.		E61																																																	
	C1	Current input (Inverse operation)	+4 to +20mA DC / 0 to 100% +20 to +4mA DC / 0 to 100% (switchable by digital input signal)	Input impedance: 250Ω Allowable maximum input current: +30mA DC If input voltage is +20mA DC or over, the inverter assumes it to be +20mA DC.	F18, C35 to C37																																																	
			(PID control)			Used for reference signal (PID process command) or PID feedback signal.																																																
			(For PTC thermistor)			Connects PTC thermistor for motor protection.																																																
			(Frequency aux. setting)			Used as additional auxiliary setting to various main settings of frequency.																																																
				Connect external resistor 1kΩ to terminal 13 - C1.	H26, H27																																																	
				E62																																																		
11	Common	Common for analog input/output signals (12, 13, C1)	Isolated from terminal CM and Y1E.																																																			
Digital input	X1	Digital input 1	The following functions can be set at terminals X1 to X3, FWD, and REV for signal input.	<ON state> Source current: 2.5 to 5mA (When input voltage is 0V) Maximum input voltage: 2V <OFF state> Allowable maximum leakage current: 0.5mA Maximum terminal voltage: 22 to 27V	E01 to E03																																																	
	X2	Digital input 2	(FWD and REV functions are factory-set at FWD and REV terminals, respectively.																																																			
	X3	Digital input 3	<Common function> Source/Sink changeover function: Source and sink are changeable using the built-in jumper switch.																																																			
	FWD	Forward operation command	Contact activation mode changeover function: ON timing can be changed between short-circuit of terminals X1 and CM and open circuit of them. The same setting is possible between CM and any of the terminals among X2, X3, FWD, and REV.																																																			
	REV	Reverse operation command																																																				
		(FWD)	Forward operation command	(FWD): ON The motor runs in the forward direction. (FWD): OFF The motor decelerates and stops.	When FWD and REV are simultaneously ON, the motor decelerates and stops. This function can be set only for the terminals FWD and REV.	E98, E99																																																
		(REV)	Reverse operation command	(REV): ON The motor runs in the reverse direction. OFF The motor decelerates and stops.																																																		
		(SS1) (SS2) (SS4)	Multistep freq. selection 2 (0, 1) different frequencies are selectable. 4 (0 to 3) different frequencies are selectable. 8 (0 to 7) different frequencies are selectable. Frequency 0 indicates the frequency set by the keypad, built-in potentiometer or analog signal.	<table border="1"> <thead> <tr> <th colspan="2"></th> <th colspan="8">Frequency</th> </tr> <tr> <th>Digital input</th> <th></th> <th>0</th> <th>1</th> <th>2</th> <th>3</th> <th>4</th> <th>5</th> <th>6</th> <th>7</th> </tr> </thead> <tbody> <tr> <td>(SS1)</td> <td>—</td> <td>ON</td> <td>—</td> <td>ON</td> <td>—</td> <td>ON</td> <td>—</td> <td>ON</td> <td>—</td> </tr> <tr> <td>(SS2)</td> <td>—</td> <td>—</td> <td>ON</td> <td>ON</td> <td>—</td> <td>—</td> <td>ON</td> <td>ON</td> <td>—</td> </tr> <tr> <td>(SS4)</td> <td>—</td> <td>—</td> <td>—</td> <td>—</td> <td>—</td> <td>ON</td> <td>ON</td> <td>ON</td> <td>ON</td> </tr> </tbody> </table>					Frequency								Digital input		0	1	2	3	4	5	6	7	(SS1)	—	ON	—	ON	—	ON	—	ON	—	(SS2)	—	—	ON	ON	—	—	ON	ON	—	(SS4)	—	—	—	—	—	ON	ON
			Frequency																																																			
	Digital input		0	1	2	3	4	5	6	7																																												
	(SS1)	—	ON	—	ON	—	ON	—	ON	—																																												
	(SS2)	—	—	ON	ON	—	—	ON	ON	—																																												
	(SS4)	—	—	—	—	—	ON	ON	ON	ON																																												
		(RT1)	ACC/DEC time selection	(RT1): ON ACC/DEC time 2 is effective. (RT1): OFF ACC/DEC time 1 is effective.	Switchable during ACC/DEC operation	E10, E11																																																
		(HLD)	3-wire operation stop command	Used for 3-wire operation. (HLD): ON The inverter self-holds FWD or REV signal. (HLD): OFF The inverter releases self-holding.																																																		
		(BX)	Coast-to-stop command	(BX): ON The inverter output is shut off immediately and the motor will coast-to-stop.	No alarm signal will be output.																																																	
		(RST)	Alarm reset	(RST): ON Faults are reset.	ON signal should be held for more than 0.1s.																																																	
		(THR)	Trip command (External fault)	(THR): OFF The inverter output is shut off and the motor coasts-to-stop.	Alarm signal OH2 will be output.																																																	
		(JOG)	Jogging operation	(JOG): ON JOG frequency is effective. (FWD):ON or (REV): ON The inverter operates with JOG frequency.		C20, H54																																																
		(Hz2/Hz1)	Freq. set 2/ Freq. set 1	(Hz2):ON or (Hz1): ON Freq. set 2 is effective.		F01, C30																																																
	(WE-KP)	Write enable for KEYPAD	(WE-KP): ON The function code data can be changed from the keypad.	Data can be changed when this function is not allocated.																																																		
	(Hz/PID)	PID control cancel	(Hz/PID): ON The PID control is canceled, and frequency set by multistep frequency, keypad or analog input.		J01 to J06 F01, C30																																																	
	(IVS)	Inverse mode changeover	(IVS): ON Operation mode (normal operation/ inverse operation) can be changed.																																																			
	(LE)	Link enable (RS485, Bus)	(LE): ON The link operation is effective. (RS485 or Bus (Option))		H30, y99																																																	
	(PID-RST)	PID integral/differential reset	(PID-RST): ON PID integration and differentiation are reset.																																																			
	(PID-HLD)	PID integral hold	(PID-HLD): ON PID integration is temporarily stopped.																																																			
	PLC	PLC terminal	Connect to PLC output signal power supply. Common for 24V power (terminal P24).	+24V 50mA max.																																																		
	CM	Common	Common for digital input signal.	Isolated from terminal 11 and Y1E.																																																		

Terminal Functions

Terminal Functions

The Compact Inverter **FRENIC-Mini**

	Symbol	Terminal name	Functions	Remarks	Related function code
Analog output	FMA	Analog monitor	Output frequency (Before slip compensation) Output current Output frequency (After slip compensation) Output voltage Input power PID feedback value DC link circuit voltage Analog output test (+)	Voltage output: 0 to 10V Max. current: 2mA Up to two analog voltmeters can be connected.	F30,F31
	11	Common	Common for analog input/output signals (FMA).	Insulated from the terminals CM and Y1E.	
Transistor output	Y1	Transistor output	The following functions can be set at terminal Y1, signal output. Contact activation mode changeover function: ON timing can be changed by shorting terminals Y1 and Y1E and opening them.	27V max., 50mA max. OFF state maximum leakage current: 0.1mA ON state maximum output voltage: 2V at 50mA	E20
	(RUN)	Inverter running (speed exists)	Comes ON when the output frequency is higher than starting frequency.		
	(RUN2)	Inverter output on	Comes on when the output frequency is higher than the starting frequency or DC injection brake is applied.		
	(FAR)	Speed/freq. arrival	Comes ON when the motor speed reaches the set frequency. (Condition: Operation command is ON.)	FAR hysteresis width (fixed): 2.5Hz	
	(FDT)	Speed/freq. detection	Comes ON when the output frequency is above the detectable level and goes OFF when below the detectable level.	Hysteresis width (fixed): 1.0Hz	E31
	(LV)	Undervoltage detection	Comes ON when the inverter stops because of undervoltage while the operation command is ON.		
	(IOL)	Inverter output limit (limit on current)	Comes ON when the inverter is limiting the current.		F43,F44
	(IPF)	Auto-restarting	Comes ON during auto restart operation (after momentary power failure and until completion of restart)		F14
	(OL)	Overload early warning (motor)	Comes ON when the electronic thermal relay value is higher than the preset alarm level.		F10 to F12
	(TRY)	Auto-resetting mode	Comes ON during auto reset mode.		H04,H05
	(LIFE)	Lifetime alarm	Outputs alarm signal according to the preset lifetime level.		H42,H43,H98
	(OLP)	Overload preventive control	Comes ON during inverter control for avoiding overload.		H70
	(ID)	Current detection	Comes ON when a current larger than the set value has been detected for the timer-set time.		E34,E35
(IDL)	Small current detection	Comes ON when a current smaller than the set value has been detected for the timer-set time.		E34,E35	
(ALM)	Alarm relay (for any fault)	Alarm signal is output as the transistor output signal.			
	Y1E	Transistor output common	Emitter output of transistor output signal (Y1)	Isolated from terminal 11 and CM.	
Relay output	30A,30B,30C	Alarm relay output (for any fault)	Outputs a contact signal (SPDT) when a protective function is activated to stop inverter. This terminal can be used as the multi-purpose relay output signal. (Possible to select a terminal similar to Y1 for transistor output signal and use it for signal output.) Contact activation mode can be changed between the following two cases: "terminals 30A and 30C are shorted by ON signal output" or "terminals 30B and 30C" are shorted by ON signal output"	Contact rating : 250V AC, 0.3A, cosφ=0.3	E27
LINK	RS485 port connector *1	RS485 I/O terminal	Used to connect the inverter with the remote keypad to supply the power to the keypad. Used to connect the inverter with PC or PLC using RS485 port.	RJ45 connector is used. For the transmission specifications, refer to page 25.	H30 y01 to y10, y99

*1) This terminal is valid when the standard inverter is equipped with RS485 communication card (option).

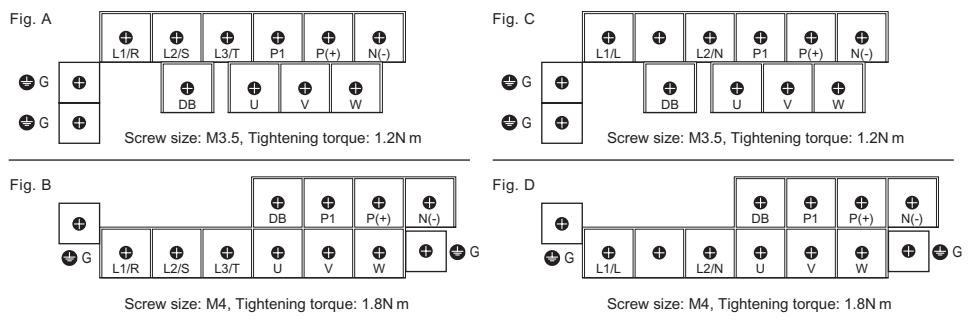
Terminal Arrangement

The Compact Inverter **FRENIC-Mini**

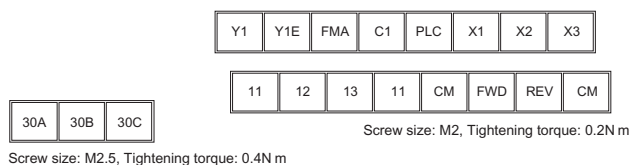
Main circuit terminals

Power source	Nominal applied motor (kW)	Inverter type	Reference
Three-phase 400V	0.4	FRN0.4C1□-4E**	Fig. B
	0.75	FRN0.75C1□-4E**	
	1.5	FRN1.5C1□-4E**	
	2.2	FRN2.2C1□-4E**	
Single-phase 200V	0.1	FRN0.1C1□-7E	Fig. C
	0.2	FRN0.2C1□-7E	
	0.4	FRN0.4C1□-7E	Fig. D
	0.75	FRN0.75C1□-7E	
	1.5	FRN1.5C1□-7E	
	2.2	FRN2.2C1□-7E	
Three-phase 200V	0.1	FRN0.1C1□-2J**	Fig. A
	0.2	FRN0.2C1□-2J**	
	0.4	FRN0.4C1□-2J**	Fig. B
	0.75	FRN0.75C1□-2J**	
	1.5	FRN1.5C1□-2J**	
	2.2	FRN2.2C1□-2J**	
4.0	FRN3.7C1□-2J**		

(Note) For the inverter type FRN0.1C1□2E/J**, the symbol □ is replaced with either of the following alphabets and ** is replaced with any of the following numeral codes:
□ S (Standard type), E (EMC filters built-in type), **: 21 (Braking resistor built-in type), None (Standard type)
The inverter applicable to RS485 communication is limited to the standard ones in three-phase 200V and three-phase 400V series.
The braking resistor built-in type is limited to the inverters for 1.5kW or larger.



Control circuit terminals (common to all the inverter models)

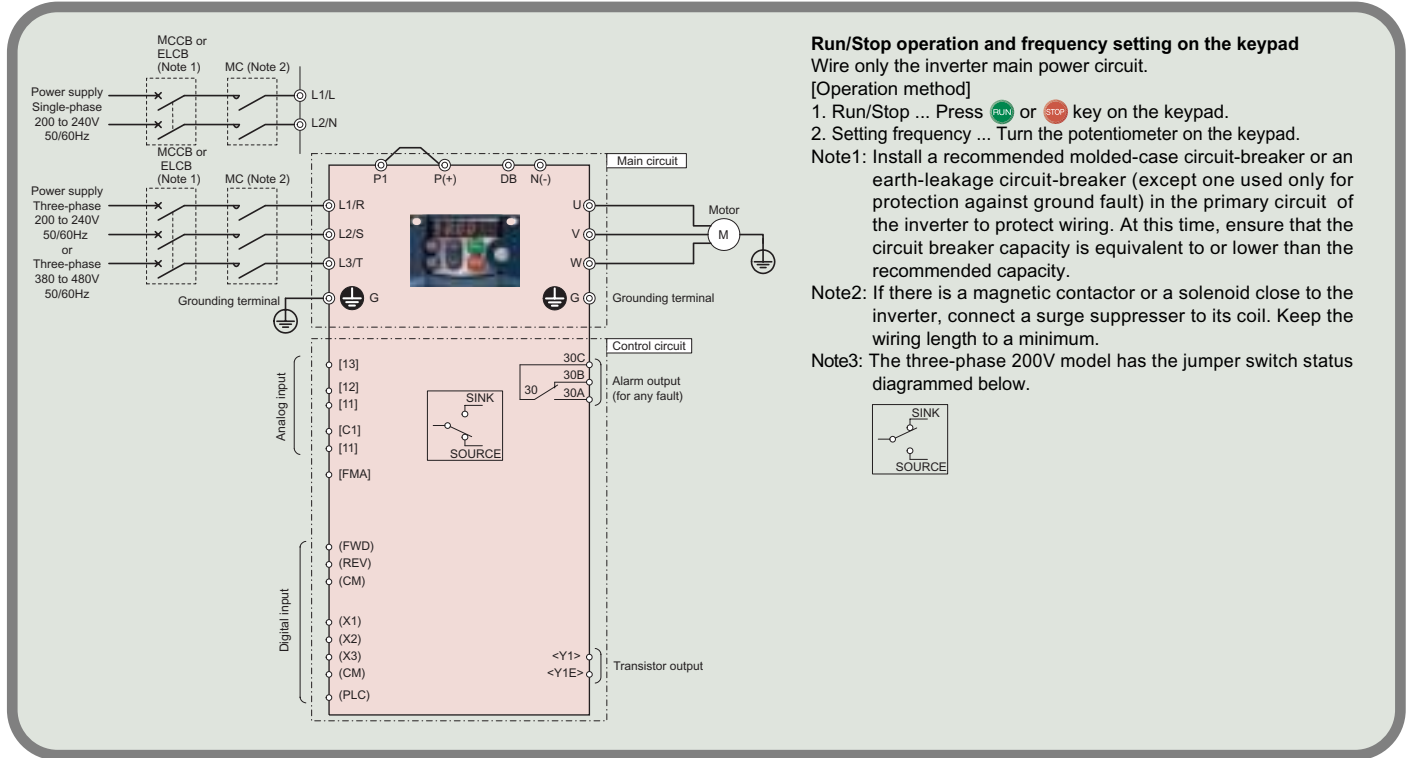


Basic wiring diagram

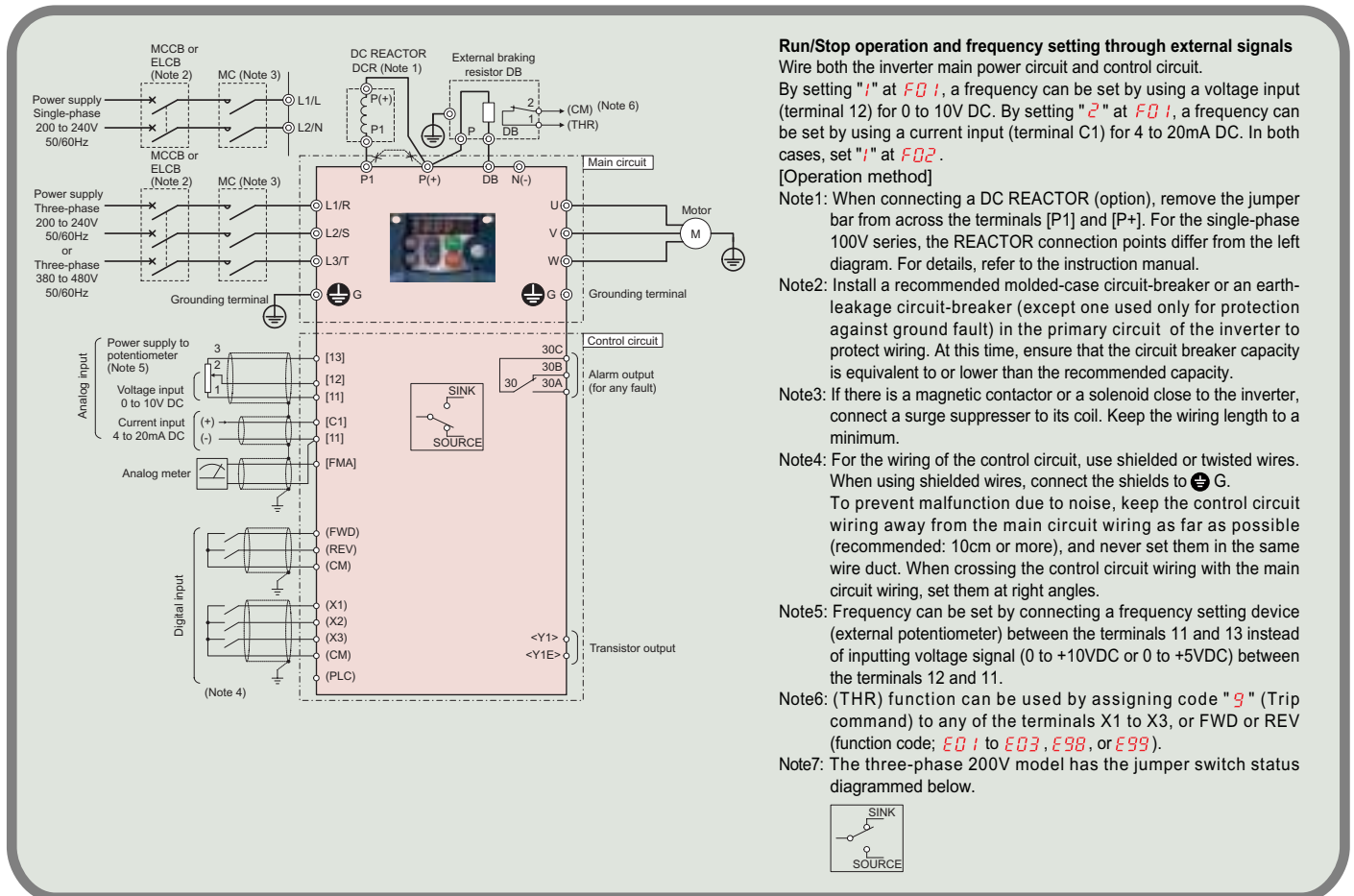
The Compact Inverter **FRENIC-Mini**

The following diagram is for reference only. For detailed wiring diagrams, refer to the Instruction Manual.

Keypad operation



Operation by external signal inputs



Function Settings

Function Settings

The Compact Inverter **FRENIC-Mini**

Fundamental Functions: F codes

Func. code	Name	Data setting range	Min.	Unit	Factory setting
F00	Data Protection	0 : Disable data protection 1 : Enable data protection	—	—	0
F01	Frequency Command 1	0 : Keypad operation (⏏ or ⏎ key) 1 : Analog voltage input (terminal 12) (0 to +10V DC) 2 : Analog current input (terminal C1) (+4 to +20mA DC) 3 : Analog voltage input (terminals 12) and analog current input (terminal C1) 4 : Potentiometer on the keypad	—	—	4
F02	Running/Stopping and Rotational Direction	0 : Keypad operation (FWD/REV change by external signal) 1 : External signal (Digital input) 2 : Keypad operation (FWD) 3 : Keypad operation (REV)	—	—	2
F03	Maximum Frequency	25.0 to 400.0Hz	0.1	Hz	50.0 (Three-phase 200V : 60.0)
F04	Base Frequency	25.0 to 400.0Hz	0.1	Hz	50.0 (Three-phase 200V : 60.0)
F05	Rated Voltage (at base frequency)	0V : Voltage in proportion to power supply voltage 80 to 240V : AVR active (200V series) 160 to 500V : AVR active (400V series)	1	V	0
F07	Acceleration Time 1	0.00 to 3600s : *0.00 means acceleration time ignored (External soft start/stop)	0.01	s	6.00
F08	Deceleration Time 1	0.00 to 3600s : *0.00 means deceleration time ignored (External soft start/stop)	0.01	s	6.00
F09	Torque Boost	0.0 to 20.0% (percentage against F05: Rated voltage) *Setting becomes valid when F37 is set at 0, 1, 3 or 4.	0.1	%	Fuji's standard torque boost
F10	Electronic Thermal Overload for motor protection (Select the motor property)	1 : For motor with self-cooled fan, standard motor 2 : For motor with forced-cooled fan	—	—	1
F11	(Overload detection level)	0.00%(Inactive), Approx. 1 to 135% of inverter rated current	0.01	A	Rated current of Fuji's standard motor
F12	(Thermal time constant)	0.5 to 75.0min	0.1	min	5.0
F14	Restart Mode after Instantaneous Power Failure	0 : Inactive (Trips immediately without restart when power fails.) 1 : Inactive (Trips without restart when power recovers.) 4 : Active (Restarts at frequency output at power failure, for general load) 5 : Active (Restarts at starting frequency, for low-inertia load)	—	—	0 (Three-phase 200V : 1)
F15	Frequency Limiter (Peak)	0.0 to 400.0Hz	0.1	Hz	70.0
F16	(Bottom)	0.0 to 400.0Hz	0.1	Hz	0.0
F18	Bias (for Frequency Command 1)	-100.00 to 100.00%	0.01	%	0.00
F20	DC Braking (Starting frequency)	0.0 to 60.0Hz	0.1	Hz	0.0
F21	(Braking level)	0 to 100% (Inverter rated current standard)	1	%	0
F22	(Braking time)	0.00 (Inactive), 0.01 to 30.00s	0.01	s	0.00
F23	Starting Frequency	0.1 to 60.0Hz	0.1	Hz	1.0
F25	Stop Frequency	0.1 to 60.0Hz	0.1	Hz	0.2
F26	Motor Sound (Carrier frequency)	0.75 to 15kHz	1	kHz	15 (Three-phase 200V : 2)
F27	(Sound tone)	0 : Level 0 1 : Level 1 2 : Level 2 3 : Level 3	—	—	0
F30	Terminal [FMA] (Gain to output voltage)	0 to 200%	1	%	100
F31	Analog Output Signal Selection for [FMA] (Monitor object)	Selects from the following items by code. 0 : Output frequency (before slip compensation) 1 : Output frequency (after slip compensation) 2 : Output current 3 : Output voltage 6 : Input power 7 : PID feedback value 9 : DC link circuit voltage 14 : Analog output test (+)	—	—	0
F37	Load Selection/Auto Torque Boost/Auto Energy Saving Operation	0 : Variable torque load 1 : Constant torque load 2 : Auto-torque boost 3 : Auto-energy saving operation (Variable torque load during acceleration and deceleration) 4 : Auto-energy saving operation (Constant torque load during acceleration and deceleration) 5 : Auto-energy saving operation (Auto-torque boost during acceleration and deceleration)	—	—	1
F43	Current Limiter (Operation condition)	0 : Inactive 1 : At constant speed (Inactive during acceleration/deceleration) 2 : During acceleration and at constant speed (Inactive during deceleration)	—	—	0
F44	(Limiting level)	20 to 200% (Inverter rated current standard)	1	%	200
F50	Electronic Thermal Overload Relay (for braking resistor) (Discharging capability)	0 (Braking resistor built-in type) 1 to 900kW, 999(cancel)	1	kWs	999 (Without braking resistor) 0 (With braking resistor)
F51	(Allowable average loss)	0.000 (Braking resistor built-in type) 0.001 to 50.000kW	0.001	kW	0.000

Function Settings

The Compact Inverter **FRENIC-Mini**

Extension Terminal Functions: E codes

Func. code	Name	Data setting range	Min.	Unit	Factory setting
E01	Terminal Command Assignment to: [X1] [X2] [X3]	Selects from the following items by code. 0 : (1000) Multistep freq. selection (0 to 1 step) [SS1] 1 : (1001) Multistep freq. selection (0 to 3 step) [SS2] 2 : (1002) Multistep freq. selection (0 to 7 step) [SS4] 4 : (1004) ACC/DEC time selection (2 steps) [RT1] 6 : (1006) 3-wire operation stop command [HLD] 7 : (1007) Coast-to-stop command [BX] 8 : (1008) Alarm reset [RST] 9 : (1009) Trip command (External fault) [THR] 10 : (1010) Jogging operation [JOG] 11 : (1011) Freq. set 2 / Freq. set 1 [Hz2/Hz1] 19 : (1019) Write enable for keypad (Data changeable) [WE-KP] 20 : (1020) PID control cancel [Hz/PID] 21 : (1021) Normal/Inverse mode changeover [IVS] 24 : (1024) Link enable (RS485 (standard), BUS (option)) [LE] 33 : (1033) PID integration/differentiation reset [PID-RST] 34 : (1034) PID integration hold [PID-HLD] *The number in () indicates logical inverse. (OFF when short-circuited)	—	—	0
E02			—	—	7
E03			—	—	8
E10	Acceleration Time 2	0.00 to 3600s	0.01	s	6.00
E11	Deceleration Time 2	0.00 to 3600s	0.01	s	6.00
E20	Status Signal Assignment to: [Y1] [30A, B, C] (Mechanical relay contacts)	Selects from the following items by code. 0 : (1000) Inverter running [RUN] 1 : (1001) Frequency equivalence signal [FAR] 2 : (1002) Frequency level detection [FDT] 3 : (1003) Undervoltage detection signal [LV] 5 : (1005) Torque limiting (Current limiting) [IOL] 6 : (1006) Auto-restarting [IPF] 7 : (1007) Motor overload early warning [OL] 26 : (1026) Retry in operation [TRY] 30 : (1030) Lifetime alarm [LIFE] 35 : (1035) Inverter running [RUN2] 36 : (1036) Overload preventive control [OLP] 37 : (1037) Current detection [ID] 41 : (1041) Low level current detection [IDL] 99 : (1099) Alarm relay output (for any fault) [ALM] *The number in () indicates logical inverse. (OFF when short-circuited)	—	—	0
E27			—	—	99
E31	Frequency Detection (FDT) (Detection level)	0.0 to 400.0Hz	0.1	Hz	50.0 (Three-phase 200V : 60.0)
E34	Overload Early Warning/Current Detection/ Low Current Detection (Level)	0.00(Inactive), 1 to 200% of inverter rated current	0.01	A	Rated current of Fuji's standard motor
E35	Current Detection/Low Current Detection (Timer)	0.01 to 600.00s	0.01	s	10.00
E39	Coefficient for Constant Feeding Rate Time	0.000 to 9.999	0.001	—	0.000
E40	PID Display Coefficient A	-999 to 0.00 to 999	0.01	—	100
E41	PID Display Coefficient B	-999 to 0.00 to 999	0.01	—	0.00
E43	Monitor Item Selection	0 : Speed monitor (select by E48) 9 : Input power 3 : Output current 10 : PID final command value 4 : Output voltage 12 : PID feedback value 13 : Timer value (timer operation)	—	—	0
E45	See Note 2.				
E46					
E47					
E48	LED Monitor (Speed monitor item)	0 : Output frequency (before slip compensation) 1 : Output frequency (after slip compensation) 2 : Setting frequency 4 : Load shaft speed 5 : Line speed 6 : Constant rate of feeding time	—	—	0
E50	Coefficient for Speed Indication	0.01 to 200.00	0.01	—	30.00
E52	Keypad (Menu display mode)	0 : Function code data setting menu only 1 : Data verification menu only 2 : All menu	—	—	0

Note 1: The above setting ranges may be limited by the signs or the number of digits.

Note 2: The inverter does not use the codes **E45** to **E47** though they are displayed.

[Changing, reflecting or storing data during operation]

 : Disable : Change with   keys and then save or reflect with  key. : Change or reflect with   keys and then save with  key.

Function Settings

Function Settings

The Compact Inverter **FRENIC-Mini**

Extension Terminal Functions: E codes

Func. code	Name	Data setting range	Min.	Unit	Factory setting
E60	Built-in Potentiometer (Function selection)	Selects from the following functions by code. 0 : No function selection 1 : Aux. freq. setting 1 2 : Aux. freq. setting 2 3 : PID process command 1	—	—	0
E61 E62	Analog Input Signal Definition for: [12] [C1]	Selects from the following functions by code. 0 : No function selection 1 : Aux. freq. setting 1 2 : Aux. freq. setting 2 3 : PID process command 1 5 : PID feedback value	— —	— —	0 0
E98 E99	Terminal Command Assignment to: [FWD] [REV]	Selects from the following items by code. 0 : (1000) Multistep freq. selection (0 to 1 step) [SS1] 1 : (1001) Multistep freq. selection (0 to 3 step) [SS2] 2 : (1002) Multistep freq. selection (0 to 7 step) [SS4] 4 : (1004) ACC/DEC time selection (2 steps) [RT1] 6 : (1006) 3-wire operation stop command [HLD] 7 : (1007) Coast-to-stop command [BX] 8 : (1008) Alarm reset [RST] 9 : (1009) Trip command (External fault) [THR] 10 : (1010) Jogging operation [JOG] 11 : (1011) Freq. set 2 / Freq. set 1 [Hz2/Hz1] 19 : (1019) Write enable for keypad (Data changeable) [WE-KP] 20 : (1020) PID control cancel [Hz/PID] 21 : (1021) Normal/Inverse mode changeover [IVS] 24 : (1024) Link enable (RS485 (standard), BUS (option)) [LE] 33 : (1033) PID integration/differentiation reset [PID-RST] 34 : (1034) PID integration hold [PID-HLD] 98 : Forward operation command [FWD] 99 : Reverse operation command [REV] *The number in () indicates logical inverse. (OFF when short-circuited)	— —	— —	98 99

Control Functions of Frequency: C codes

Func. code	Name	Data setting range	Min.	Unit	Factory setting
C01 C02 C03	Jump Frequency 1 2 3	0.0 to 400.0Hz	0.1	Hz	0.0 0.0 0.0
C04	Jump Frequency Band	0.0 to 30.0Hz	0.1	Hz	3.0
C05 C06 C07 C08 C09 C10 C11	Multi-step Frequency Settings 1 2 3 4 5 6 7	0.00 to 400.00Hz	0.01	Hz	0.00 0.00 0.00 0.00 0.00 0.00 0.00
C20	Jogging Frequency	0.00 to 400.00Hz	0.01	Hz	0.00
C21	Timer Operation	0 : Inactive 1 : Active	—	—	0
C30	Frequency Command 2	0 : Keypad operation (▲ or ▼ key) 1 : Analog voltage input (terminal 12) (0 to +10V DC) 2 : Analog current input (terminal C1) (+4 to +20mA DC) 3 : Analog voltage input (terminals 12) and analog current input (terminal C1) 4 : Potentiometer on the keypad	—	—	2
C32	Analog Input Adjustment (Gain)	0.00 to 200.00%	0.01	%	100.0
C33	(Gain for terminal input [12]) (Filter)	0.00 to 5.00s	0.01	s	0.05
C34	(Gain reference point)	0.00 to 100.00%	0.01	%	100.0
C37	Analog Input Adjustment (Gain)	0.00 to 200.00%	0.01	%	100.0
C38	(Gain for terminal input [C1]) (Filter)	0.00 to 5.00s	0.01	s	0.05
C39	(Gain reference point)	0.00 to 100.00%	0.01	%	100.0
C50	Bias(Frequency command 1) (Bias reference point)	0.00 to 100.00%	0.01	%	0.00
C51	Bias (PID command 1) (Bias value)	-100.00 to 100.00%	0.01	%	0.00
C52	(Bias reference point)	0.00 to 100.00%	0.01	%	0.00

Motor Parameters: P codes

Func. code	Name	Data setting range	Min.	Unit	Factory setting
P02	Motor Parameters (Rated capacity)	0.01 to 10.00kW (when P99 = 0, 3, or 4) 0.01 to 10.00 HP (when P99 = 1)	0.01	kW	Nominal applied motor capacity
P03	(Rated current)	0.00 to 99.99A	0.01	A	Rated current of Fuji's standard motor
P09	(Slip compensation gain)	0.0 to 200.0%	0.1	%	0.0
P99	Motor Selection	0 : Motor Specification 1 (Fuji 8 Series) 1 : Motor Specification 2 (HP Motor) 3 : Motor Specification 3 (Fuji 6 Series) 4 : Others	—	—	0

Function Settings

The Compact Inverter **FRENIC-Mini**

High Performance Functions: H Codes

Func. code	Name	Data setting range	Min.	Unit	Factory setting																																								
H03	Data Initializing (Data reset)	0 : Manual set value 1 : Return to factory set value 2 : Motor parameter initializing (Motor 1)	—	—	0																																								
H04	Retry (No. of retries)	0 : Inactive, 1 to 10 times	1	Times	0																																								
H05	(Latency time)	0.5 to 20.0s	0.1	s	5.0																																								
H06	Cooling Fan ON/OFF	0 : Inactive 1 : Active (1.5kW or more)	—	—	0																																								
H07	Gradual Acceleration/ Deceleration	0 : Inactive (linear) 1 : S-curve (weak) 2 : S-curve (strong) 3 : Non-linear	—	—	0																																								
H12	Instantaneous Overcurrent Limiting	0 : Inactive 1 : Active	—	—	1																																								
H26	PTC Thermistor Input	0 : Inactive 1 : Active	—	—	0																																								
H27	(Level)	0.00 to 5.00V	0.01	V	1.60																																								
H30	Serial Link (Function selection)	(Monitor) (Hz setting) (OPR command) 0 : <input type="radio"/> X X <input type="radio"/> <input type="radio"/> <input type="radio"/> 1 : <input type="radio"/> RS485 X <input type="radio"/> <input type="radio"/> <input type="radio"/> 2 : <input type="radio"/> X RS485 <input type="radio"/> RS485 <input type="radio"/> RS485 <input type="radio"/> RS485 3 : <input type="radio"/> RS485 RS485 <input type="radio"/> RS485 <input type="radio"/> RS485 ○ : Enable by inverter and RS485 X : Enable by inverter	—	—	0																																								
H42	Capacity of DC bus capacitor	Adjustment is needed when capacitor is replaced.	—	—	—																																								
H43	Accumulated Run Time of Cooling Fan	Adjustment is needed when cooling fan is replaced.	—	h	—																																								
H50	Non-linear V/f Pattern (Frequency)	0.0: cancel 0.1 to 400.0Hz	0.1	Hz	0.0																																								
H51	(Voltage)	0 to 240V : AVR active (200V class) 0 to 500V : AVR active (400V class)	1	V	0																																								
H54	ACC/DEC Time (Jogging operation)	0.00 to 3600s	0.01	s	6.00																																								
H64	Bottom Limiter (Min. freq. when limiter is activated)	0.0 (Depends on F16 : Freq. limiter (Low)) 0.1 to 60.0Hz	0.1	Hz	2.0																																								
H69	Automatic Deceleration	0 : Inactive 1 : Active	—	—	0																																								
H70	Overload Prevention Control (Frequency drop rate)	0.00 (equivalent to DEC time) 0.01 to 100.00Hz/s, 999(cancel)	0.01	Hz/s	999																																								
H71	See Note 2.																																												
H80	Gain for Suppression of Output Current Fluctuation	0.00 to 0.20	0.01	—	0.20																																								
H95	See Note 2.																																												
H96	STOP Key Priority / Start Check Function	<table border="1"> <thead> <tr> <th>Item</th> <th>Data</th> <th>0</th> <th>1</th> <th>2</th> <th>3</th> </tr> </thead> <tbody> <tr> <td>STOP key priority function</td> <td></td> <td>OFF</td> <td>ON</td> <td>OFF</td> <td>ON</td> </tr> <tr> <td>Start check function</td> <td></td> <td>OFF</td> <td>OFF</td> <td>ON</td> <td>ON</td> </tr> </tbody> </table>	Item	Data	0	1	2	3	STOP key priority function		OFF	ON	OFF	ON	Start check function		OFF	OFF	ON	ON	—	—	0																						
Item	Data	0	1	2	3																																								
STOP key priority function		OFF	ON	OFF	ON																																								
Start check function		OFF	OFF	ON	ON																																								
H97	Clear Alarm Data	Returns to zero after data clear by H97 setting at 1.	—	—	—																																								
H98	Protection/Maintenance Function	<table border="1"> <thead> <tr> <th>Item</th> <th>Data</th> <th>0</th> <th>1</th> <th>2</th> <th>3</th> <th>4</th> <th>5</th> <th>6</th> <th>7</th> </tr> </thead> <tbody> <tr> <td>Carrier frequency automatic DEC function</td> <td></td> <td>OFF</td> <td>ON</td> <td>OFF</td> <td>ON</td> <td>OFF</td> <td>ON</td> <td>OFF</td> <td>ON</td> </tr> <tr> <td>Input phase loss protection*)</td> <td></td> <td>OFF</td> <td>OFF</td> <td>ON</td> <td>ON</td> <td>OFF</td> <td>OFF</td> <td>ON</td> <td>ON</td> </tr> <tr> <td>Output phase loss protection</td> <td></td> <td>OFF</td> <td>OFF</td> <td>OFF</td> <td>OFF</td> <td>ON</td> <td>ON</td> <td>ON</td> <td>ON</td> </tr> </tbody> </table>	Item	Data	0	1	2	3	4	5	6	7	Carrier frequency automatic DEC function		OFF	ON	OFF	ON	OFF	ON	OFF	ON	Input phase loss protection*)		OFF	OFF	ON	ON	OFF	OFF	ON	ON	Output phase loss protection		OFF	OFF	OFF	OFF	ON	ON	ON	ON	—	—	3
Item	Data	0	1	2	3	4	5	6	7																																				
Carrier frequency automatic DEC function		OFF	ON	OFF	ON	OFF	ON	OFF	ON																																				
Input phase loss protection*)		OFF	OFF	ON	ON	OFF	OFF	ON	ON																																				
Output phase loss protection		OFF	OFF	OFF	OFF	ON	ON	ON	ON																																				

Application Functions: J Codes

Func. code	Name	Data setting range	Min.	Unit	Factory setting
J01	PID Control	0 : Inactive 1 : Process control use (Normal action) 2 : Process control use (Inverse action)	—	—	0
J02	(Remote process command)	0 : Keypad 1 : PID process command 1 4 : Communication	—	—	0
J03	P (Gain)	0.000 to 10.000 times	0.001	Times	0.100
J04	I (Integration time)	0.0 to 3600.0s	0.1	s	0.0
J05	D (Differentiation time)	0.00 to 600.00s	0.01	s	0.00
J06	(Feedback filter)	0.0 to 900.0s	0.1	s	0.5

Link Functions: y Codes

Func. code	Name	Data setting range	Min.	Unit	Factory setting
Y01	RS485 Communication (Station address)	1 to 255	1	—	1
Y02	(Mode selection on no response error)	0 : Trip and alarm <i>E-r-8</i> 1 : Operation for y03 timer, alarm <i>E-r-8</i> 2 : Operation for y03 timer, and retry to communicate. If retry fails, the inverter trips <i>E-r-8</i> 3 : Continuous operation	—	—	0
Y03	(Timer)	0.0 to 60.0s	0.1	s	2.0
Y04	(Baud rate)	0 : 2400bps 1 : 4800 2 : 9600 3 : 19200	—	—	3
Y05	(Data length)	0 : 8 bit 1 : 7 bit	—	—	0
Y06	(Parity check)	0 : No checking 1 : Even parity 2 : Odd parity	—	—	0
Y07	(Stop bits)	0 : 2 bits 1 : 1 bit	—	—	0
Y08	(No response error detection time)	0 : No detection 1 : 1 to 60s	1	s	0
Y09	(Response interval)	0.00 to 1.00s	0.01	s	0.01
Y10	(Protocol selection)	0 : Modbus RTU protocol 1 : SX protocol (Loader protocol) 2 : Fuji general-purpose inverter protocol	—	—	1
Y99	Link Function for Supporting Data Input	(Freq. setting) (OPR command) 0 : by H30 by H30 1 : from RS485 by H30 2 : by H30 from RS485 3 : from RS485 from RS485	—	—	0

Note 1: The above setting ranges may be limited by the signs or the number of digits.

Note 2: Do not change the settings in **H71** and **H95**, as inverter does not use them although they are displayed.

[Changing, reflecting or storing data during operation]

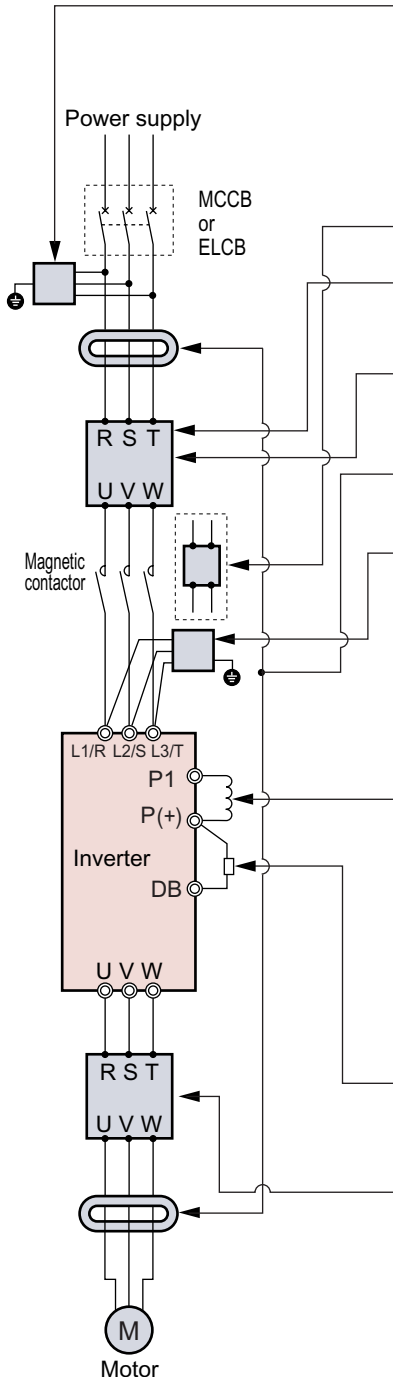
 : Disable : Change with keys and then save or reflect with key. : Change or reflect with keys and then save with key.

*) This function is OFF for Single-phase series regardless of the settings.

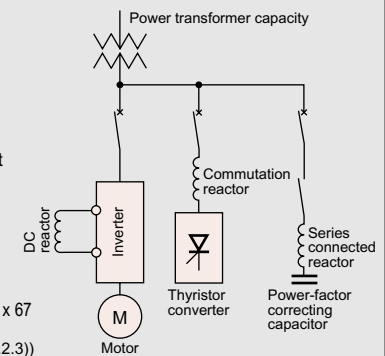
Option Guide

Option Guide

The Compact Inverter **FRENIC-Mini**



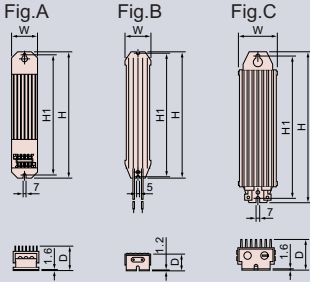
Name	Function
Surge absorber	Suppresses surges or noise invading from an external source, preventing malfunction from magnetic contactors, mini control relays and timers, etc.
Arrester	Suppresses induced lightning surges from power source, thus protecting all equipment connected to the power source.
Surge killer	Absorbs surges or noise invading from an external source, preventing malfunction of electronic equipment used in the switchboard.
Frequency setting device	Frequency setting potentiometer (mounted externally)
Frequency meter	Displays the frequency in accordance with signals output from the inverter.
Option for single-phase 100V input	This is used in cases where a single-phase 100V power supply is used to feed a three-phase 200V inverter. (It can be applied to the inverter of 0.75kW or less.)
EMC compliance filter	This is a dedicated filter which complies with the European EMC (Emission) Directive.
AC REACTOR (ACR)	Used for power factor improvement and power supply coordination. However, it is recommended that a DC REACTOR with a higher efficiency and which is more compact and lightweight be used. Use a DC REACTOR (DCR) as a countermeasure for harmonics. If it is necessary to supply a stabilized power supply, such as a DC bus system and running from that (PN connection operation), please use such a reactor.
Ferrite ring for reducing radio noise	Reduces radio frequency noise. If the wiring between motor and inverter is shorter than 20m, use the ferrite ring in the power supply side. If longer than 20m, use it in the output side.
Filter capacitor for reducing radio interference	Reduces noise. For frequencies in the AM radio frequency band of 1MHz or less, a noise reduction effect can be obtained. Absolutely never connect this device to the inverter's output side.
DC REACTOR (DCR)	<p>[Use the DCR to normalize the power supply in the following cases.]</p> <ol style="list-style-type: none"> The power transformer capacity is 500kVA or over and exceeds the inverter rated capacity by 10 times. The inverter and a thyristor converter are connected with the same transformer. <ul style="list-style-type: none"> *Check if the thyristor converter uses a commutation reactor. If not, AC reactor must be connected to the power supply side. Overvoltage trip occurs due to open/close of the phase-advancing capacitor for the power supply lines. The voltage unbalance exceeds 2%. $\text{Voltage unbalance (\%)} = \frac{\text{Max. voltage [V]} - \text{Min. Voltage [V]}}{\text{Three-phase average voltage [V]}} \times 67$ <p style="text-align: center;">(IEC 61800-3 (5.2.3))</p> <p>[For improving input power-factor, reducing harmonics] Used to reduce input harmonic current (correcting power-factor)</p>
Braking resistor	Used when it is necessary to improve the braking capacity in cases where there are frequent stops or the moment of inertia is large, etc.
Output circuit filter	<p>This filter is connected to the output circuit of inverters, and has the following functions:</p> <ol style="list-style-type: none"> Suppressing fluctuation of motor terminal voltage Protects the motor insulation from being damaged by surge voltage. Suppressing leakage current from output side wiring Reduces the leakage current caused when several motors are operated in parallel or connected with long wiring. Suppressing radiation noise or inductive noise from output side wiring Effective noise suppression device for long wiring applications such as plant * There are two kinds of filters for 400V series. Choose a desired one according to the purpose of use.
RS485 communications card	This makes communication to a PLC or personal computer system easy.
RS485 communications card case	Makes it easy to attach or detach the RS485 communications card to or from the inverter body.
Connector adaptor	This adaptor is used to attach the RS485 communications card case to the inverter body.
Extension cable for remote operation	Used when performing inverter remote operations with the remote keypad.
Remote keypad	Used when performing inverter remote operations with the remote keypad.
Inverter support loader software	Inverter support loader software, Windows based, that makes setting of function codes easy.
Attachments	Permit change of protective structure, replacement of Fuji's previous inverter model and installation on the DIN rails, etc.



Options

The Compact Inverter FRENIC-Mini

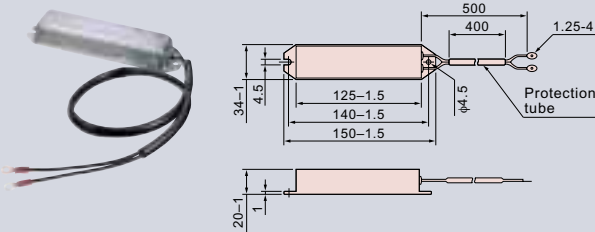
Name(Type)	Specifications and dimensions								[Unit : mm]
Braking resistor [Standard type] (DB□□□-2) (DB□□□-4) [10%ED type] (DB□□□-2C) (DB□□□-4C)	Type		Fig.	Dimensions [mm]				Mass [kg]	
	200V	400V		W	H	H1	D		
	Standard type	DB0.75-2	DB0.75-4	A	64	310	295	67	1.3
		DB2.2-2	-	A	76	345	332	94	2.0
		-	DB2.2-4	A	64	470	455	67	2.0
		DB3.7-2	-	A	76	345	332	94	2.0
		-	DB3.7-4	A	64	470	455	67	1.7
	10%ED type	DB0.75-2C	DB0.75-4C	B	43	221	215	30.5	0.5
		DB2.2-2C	DB2.2-4C	C	67	188	172	55	0.8
		DB3.7-2C	DB3.7-4C	C	67	328	312	55	1.6



Type	Power supply voltage	Inverter type	Type	Qty. (Unit)	Resistance [Ω]	Max braking torque		Continuous braking (100% torque conversion value)		Repetitive braking	
						50[Hz]	60[Hz]	Discharging capacity [kWs]	Braking time [s]	Average allowable loss [kW]	Duty cycle [%ED]
						[N·m]	[N·m]				
Standard type	Three-phase 400V	FRN0.4C1□-4E**	DB0.75-4	1	200	4.02	3.32	9	45	0.044	22
		FRN0.75C1□-4E**	-	-	-	7.57	6.25	17	45	0.068	18
		FRN1.5C1□-4E**	DB2.2-4	1	160	15.0	12.4	34	45	0.075	10
		FRN2.2C1□-4E**	-	-	-	22.0	18.2	33	30	0.077	7
	Single-phase 200V	FRN0.4C1□-7E	DB0.75-2	1	100	4.02	3.32	9	45	0.044	22
		FRN0.75C1□-7E	-	-	-	7.57	6.25	17	45	0.068	18
		FRN1.5C1□-7E	DB2.2-2	1	40	15.0	12.4	34	45	0.075	10
		FRN2.2C1□-7E	-	-	-	22.0	18.2	33	30	0.077	7
	Three-phase 200V	FRN0.4C1□-2J**	DB0.75-2	1	100	4.02	3.32	9	45	0.044	22
		FRN0.75C1□-2J**	-	-	-	7.57	6.25	17	45	0.068	18
		FRN1.5C1□-2J**	DB2.2-2	1	40	15.0	12.4	34	45	0.075	10
		FRN2.2C1□-2J**	-	-	-	22.0	18.2	33	30	0.077	7
10%ED type	Three-phase 400V	FRN0.4C1□-4E**	DB0.75-4C	1	200	4.02	3.32	50	250	0.075	37
		FRN0.75C1□-4E**	-	-	-	7.57	6.25	50	133	0.075	20
		FRN1.5C1□-4E**	DB2.2-4C	1	160	15.0	12.4	55	73	0.110	14
		FRN2.2C1□-4E**	-	-	-	22.0	18.2	55	50	0.110	10
	Single-phase 200V	FRN0.4C1□-7E	DB0.75-2C	1	100	4.02	3.32	50	250	0.075	37
		FRN0.75C1□-7E	-	-	-	7.57	6.25	50	133	0.075	20
		FRN1.5C1□-7E	DB2.2-2C	1	40	15.0	12.4	55	73	0.110	14
		FRN2.2C1□-7E	-	-	-	22.0	18.2	55	50	0.110	10
	Three-phase 200V	FRN0.4C1□-2J**	DB0.75-2C	1	100	4.02	3.32	50	250	0.075	37
		FRN0.75C1□-2J**	-	-	-	7.57	6.25	50	133	0.075	20
		FRN1.5C1□-2J**	DB2.2-2C	1	40	15.0	12.4	55	73	0.110	14
		FRN2.2C1□-2J**	-	-	-	22.0	18.2	55	50	0.110	10
FRN3.7C1□-2J**	DB3.7-2C	1	33	37.1	30.5	140	75	0.185	10		

Braking resistor

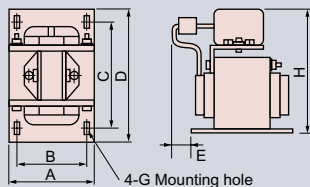
[Compact type](TK80W120Ω)



Series	Type		TK80W120Ω				
	Resistor Capacity [kW]	Ohmic value [Ω]					
Three-phase 200V			0.08				
			120				
	Applicable inverter		FRN0.4 C1□-2J**	FRN0.75 C1□-2J**	FRN1.5 C1□-2J**	FRN2.2 C1□-2J**	FRN3.7 C1□-2J**
	Applied motor output [kW]		0.4	0.75	1.5	2.2	4.0
	Average braking torque [%]		150	130	100	65	45
	Allowable limits	Allowable duty cycle [%]		15	5	5	5
Continuous allowable braking time			15s	15s	10s	10s	10s

NOTE: This resistor is not applicable to three-phase 400V series.

DC REACTOR



Applicable inverter type		Reactor type	Dimensions						Terminal screw	Mass [kg]	
Three-phase 400V series			A	B	C	D	E	G			H
FRN0.4C1□-4E**		DCR4-0.4	66	56	72	90	15	5.2 x 8	94	M4	1.0
FRN0.75C1□-4E**		DCR4-0.75	66	56	72	90	20	5.2 x 8	94	M4	1.4
FRN1.5C1□-4E**		DCR4-1.5	66	56	72	90	20	5.2 x 8	94	M4	1.6
FRN2.2C1□-4E**		DCR4-2.2	86	71	80	100	15	6 x 9	110	M4	2.0
FRN4.0C1□-4E**		DCR4-3.7	86	71	80	100	20	6 x 9	110	M4	2.6
Single-phase 200V series		Three-phase 200V series	A	B	C	D	E	G	H		
FRN0.1C1□-7E	FRN0.1C1□-2J**	DCR2-0.2	66	56	72	90	5	5.2 x 8	94	M4	0.8
FRN0.2C1□-7E	FRN0.2C1□-2J**	DCR2-0.4	66	56	72	90	15	5.2 x 8	94	M4	1.0
FRN0.4C1□-7E	FRN0.75C1□-2J**	DCR2-0.75	66	56	72	90	20	5.2 x 8	94	M4	1.4
FRN0.75C1□-7E	FRN1.5C1□-2J**	DCR2-1.5	66	56	72	90	20	5.2 x 8	94	M4	1.6
FRN1.5C1□-7E	FRN2.2C1□-2J**	DCR2-2.2	86	71	80	100	10	6 x 9	110	M4	1.8
FRN2.2C1□-7E	FRN3.7C1□-2J**	DCR2-3.7	86	71	80	100	20	6 x 9	110	M4	2.6

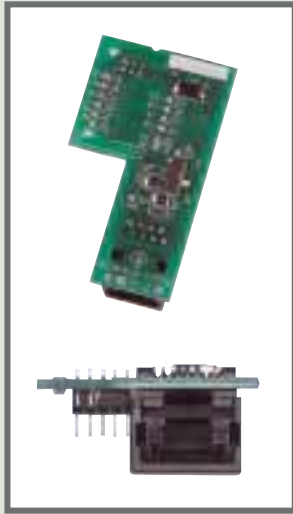
Note) For the inverter type FRN0.4C1□-2E/J**, the symbol □ is replaced with either of the following alphabets and ** is replaced with any of the following numeral codes:
 □ : S (Standard type), E (EMC filter built-in type), ** : 21 (Braking resistor built-in type), None (Standard type)

The inverter applicable to RS485 communication is limited to the standard ones in three-phase 200V and three-phase 400V series.

The braking resistor built-in type is limited to the inverters for 1.5kW or larger

Options

■RS485 Communications Card (OPC-C1-RS)



This is an exclusive option that enables the FRENIC-Mini series to use RS485 communication.

The following operations can be performed from the remote keypad (available soon), or from a personal computer, PLC or other host controller using RS485 communication.

Operation functions such as frequency settings, forward, reverse, stop, coast-to-stop and reset.

Monitoring of the output frequency, output current, operating status and alarm contents.

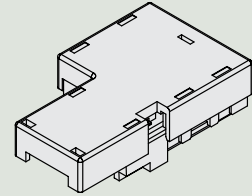
Setting of function codes

<Transmission Specifications>

Item	Specifications		
Communications protocol	SX Protocol (Support loader exclusive)	Modbus RTU (Conforming to Modicon's Modbus RTU)	Fuji general-purpose inverter protocol
Electrical specifications	EIA RS-485		
Number of units connected	Host: 1 unit, Inverters: 31 units		
Transmission speed	19200, 9600, 4800, 2400bps		
Synchronization system	Start-stop synchronous		
Transmission method	Half-duplex		

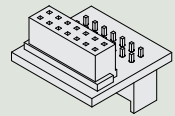
■RS485 Communications card case (CASE-C1-RS)

This case is used to house the RS485 communications card. Since the case can be easily attached to or detached from the inverter body, it is conveniently used to copy data to several inverters.



■Connector adaptor (TPAD-C1-RS)

This adaptor is used to attach the RS485 communications card case to the inverter body.



■Remote Keypad (TP-E1)

The key pad permits remote control of FRENIC-Mini, and function setting and display (with copy function).

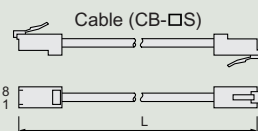


■Remote Operation Extension Cable (CB-□S)

This straight cable is used to connect the inverter and the remote keypad, and available in three lengths, i.e. 1m, 3m and 5m.



Type	L (m)
CB-5S	5
CB-3S	3
CB-1S	1



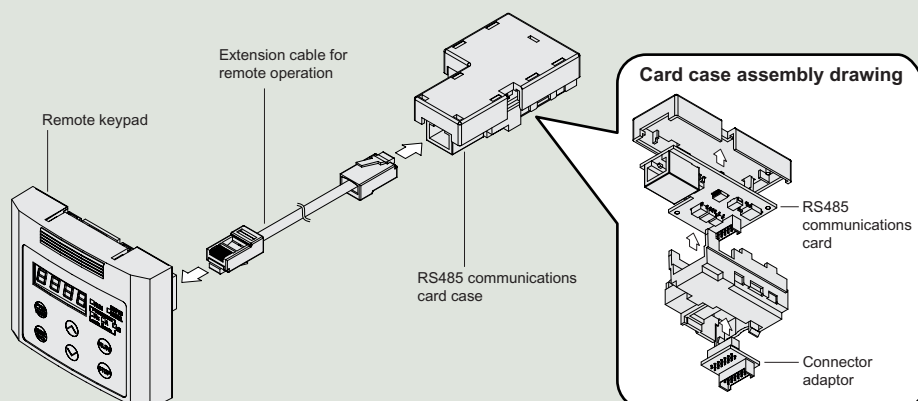
■Rail Mounting Base (RMA-C1-□□□)

This is a base for mounting the inverter on a DIN rail (35mm wide).

Option type	Applicable Inverter type
RMA-C1-0.75	FRN0.1C1E-7E
	FRN0.2C1E-7E
	FRN0.4C1E-7E
	FRN0.1C1E-2J
	FRN0.2C1E-2J
	FRN0.4C1E-2J
	FRN0.75C1E-2J
	FRN0.1C1S-7E
	FRN0.2C1S-7E
	FRN0.4C1S-7E
RMA-C1-2.2	FRN0.75C1S-7E
	FRN0.1C1S-2J**
	FRN0.2C1S-2J**
	FRN0.4C1S-2J**
	FRN0.75C1S-2J**
	FRN0.4C1E-4E
	FRN0.75C1E-4E
	FRN0.75C1E-7E
	FRN0.4C1S-4E**
	FRN0.75C1S-4E**
FRN1.5C1S-4E**	
RMA-C1-3.7	FRN2.2C1S-4E**
	FRN1.5C1S-7E
	FRN1.5C1S-2J**
	FRN2.2C1S-2J**
	FRN1.5C1E-4E
	FRN2.2C1E-4E
	FRN4.0C1E-4E
	FRN1.5C1E-7E
	FRN2.2C1E-7E
	FRN1.5C1E-2J
FRN2.2C1E-2J	
FRN4.0C1E-2J	
FRN4.0C1S-4E**	
FRN2.2C1S-7E	
FRN3.7C1S-2J**	

■Copy kit

The copy kit consists of the five options; remote keypad, RS485 communications card case, connector adaptor, and extension cable for remote operation. The copy kit allows the RS485 communications card to be attached with ease and provides convenience when copying data to and from several inverters.



Note) For the inverter type FRN0.1C1S-2E/J**, the symbols ** are replaced with any of the following numeral codes:

21 (Braking resistor built-in type), None (Standard type)

The braking resistor built-in type is limited to the inverters for 1.5kW or larger.



Wiring equipment

The Compact Inverter FRENIC-Mini

Power supply voltage	Nominal applied motor [kW]	Inverter type	MCCB or ELCB Rated current [A]		Magnetic contactor (MC)			Recommended wire size [mm ²]					
			With DCR	Without reactor	With DCR	Without reactor	Output circuit	Input circuit [L1/R, L2/S, L3/T]		Output circuit [U, V, W]	DCR circuit [P1, P(+)]	DB circuit [P(+), DB, N(-)]	
								With DCR	Without reactor				
Three-phase 400V	0.4	FRN0.4C1□-4E**	6	6	SC-05	SC-05	SC-05	2.5	2.5	2.5	2.5	2.5	
	0.75	FRN0.75C1□-4E**											
	1.5	FRN1.5C1□-4E**											10
	2.2	FRN2.2C1□-4E**											16
	4.0	FRN4.0C1□-4E**	10	20									
Single-phase 200V	0.1	FRN0.1C1□-7E	6	6	SC-05	SC-05	SC-05	2.5	2.5	2.5	2.5	—	
	0.2	FRN0.2C1□-7E											
	0.4	FRN0.4C1□-7E	10	16	SC-5-1	4.0	2.5	2.5	2.5				
	0.75	FRN0.75C1□-7E											
	1.5	FRN1.5C1□-7E	16	25									
	2.2	FRN2.2C1□-7E	25	35									
Three-phase 200V	0.1	FRN0.1C1□-2J**	6	6	SC-05	SC-05	SC-05	2.5	2.5	2.5	2.5	—	
	0.2	FRN0.2C1□-2J**											
	0.4	FRN0.4C1□-2J**	10	16	SC-5-1	4.0	2.5	2.5	2.5				
	0.75	FRN0.75C1□-2J**											
	1.5	FRN1.5C1□-2J**	16	25									
	2.2	FRN2.2C1□-2J**	25	35									
4.0	FRN3.7C1□-2J**	25	35										

Note) For the inverter type FRN0.4C1□-2E/J**, the symbol □ is replaced with either of the following letters and ** is replaced with any of the following numeral codes:

□ : S (Standard type), E (EMC filter built-in type), ** : 21 (Braking resistor built-in type), None (Standard type)

The inverter applicable to RS485 communication is limited to the standard ones in three-phase 200V and three-phase 400V series.

The braking resistor built-in type is limited to the inverters rated 1.5kW or larger.

For molded-case circuit breakers (MCCB) and earth-leakage circuit breakers (ELCB), the required frame type and series depend on the facility transformer capacity and other factors. When selecting optimal breakers, refer to the relevant technical data. Also select the rated sensitive current of ELCB utilizing the technical data.

The recommended wire sizes are based on the temperature inside the panel not exceeding 50°C.

The above wires are 600V HIV insulated solid wires (75°C).

Data in the above table may differ according to environmental conditions (ambient temperature, power supply voltage, and other factors).

Compliance with Standards

The Compact Inverter FRENIC-Mini

1. Compliance with European Standards

The CE marking on Fuji products indicates that they comply with the essential requirements of the Electromagnetic Compatibility (EMC) Directive 89/336/EEC issued by the Council of the European Communities and Low Voltage Directive 73/23/EEC.

Only the EMC filter built-in type of inverters that bear a CE marking are compliant with these EMC Directives.

Inverters that bear a CE marking or TUV mark are compliant with the Low Voltage Directive.

The products comply with the following standards:

Low Voltage Directive EN50178 : 1997
 EMC Directives EN61800-3 : 1996+A11 : 2000
 EN55011 : 1998+A : 1999
 Immunity : Second environment (EN61800-3+A11 Industrial)
 Emission : Class 1A (EN55011+A1)
 (Applicable only to the EMC filter built-in type of inverters)

CAUTION

The FRENIC-Mini series of inverters are categorized as a "restricted sales distribution class" of the EN61800-3. When you use these products with any home appliances or office equipment, you may need to take appropriate countermeasures to reduce or eliminate any noise emitted from these products.

2. Compliance with EMC Standards

General

The CE marking on the EMC filter built-in type of inverters does not ensure that the entire equipment including our CE-marked products is compliant with the EMC Directive. Therefore, CE marking for the equipment shall be the responsibility of the equipment manufacturer. For this reason, Fuji's CE mark is indicated under the condition that the product shall be used within equipment meeting all requirements for the relevant Directives. Instrumentation of such equipment shall be the responsibility of the equipment manufacturer. Generally, machinery or equipment includes not only our products but other devices as well. Manufacturers, therefore, shall design the whole system to be compliant with the relevant Directives.

In addition, to satisfy the requirements noted above, use the EMC filter built-in type of inverters according to the descriptions contained in this instruction manual. Installing the inverter(s) in a metal enclosure may be necessary, depending upon the operating environment of the equipment that the inverter is to be used with.

Recommended installation

To make the machinery or equipment fully compliant with the EMC Directive, have certified technicians wire the motor and inverter in strict accordance with the procedure described below.

Use the EMC filter built-in type of inverters.

- (1) Mount the EMC grounding flange (that comes with the inverter) to the inverter with screws in order to ground the wire shield(s). (See Figure 1.)

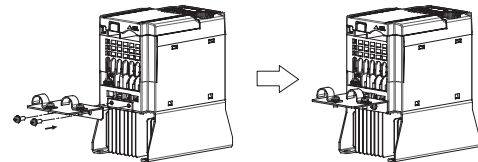


Figure1. Attaching the EMC Grounding Flange

- (2) Use shielded wires for the motor cable and route it as short as possible. Firmly clamp the wire shield to the flange to ground it. Further, connect the wire shield electrically to the grounding terminal of motor. (See Figure 2.)
- (3) Use shielded wires for the control signals of the inverter to input to/output from the control terminals. Firmly clamp the control wire shields to the EMC grounding flange (in the same way as the motor cables.)

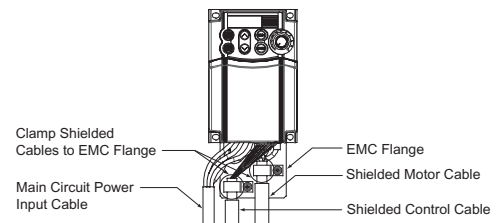
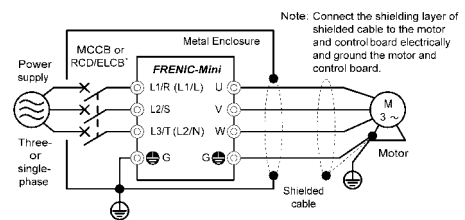


Figure2. Connecting Shielded Cables

- (4) If noise from the inverter exceeds the permissible level, enclose the inverter and its peripherals within a metal enclosure as shown in Figure 3.



• With the exception of those exclusively designed for protection from ground faults

Figure3. Installing the Inverter into a Metal Enclosure



NOTES

Application to standard motors

Driving a 400V standard motor

When driving a 400V standard motor by an inverter with long cable lengths, damage may occur in the insulation of motor. Use the output circuit filter (OFL) if necessary after confirmation with the motor manufacturer. The use of Fuji Electric Motor does not require the output circuit filter because of its reinforced insulation.

Torque characteristics and temperature rise

When the inverter is used to operate a standard motor, the temperature rises higher than during operation from a commercial power supply. The cooling effect decreases in the low-speed range, reducing the allowable output torque. (If a constant torque is required in the low-speed range, use a Fuji inverter motor or a motor equipped with a separately ventilating fan.)

Vibration

Use of an inverter does not increase vibration of a standard motor, but when the motor is mounted to a machine, resonance may be caused by the natural frequencies including the natural frequency of the machine system.

* We recommend that you use a rubber coupling or anti-vibration rubber.

* We also recommend that you use the inverter jump frequency control function to avoid resonance point in the motor operation.

Note that operation of a 2-pole motor at 60Hz or over may cause abnormal vibration.

Noise

When an inverter drives a standard motor, the motor noise level increases compared with driven by commercial power. To reduce noise, set the inverter carrier frequency at a high level. High-speed operation at 60Hz or over can result in more noise.

Application to special motors

Explosion-proof motors

When driving an explosion-proof motor with an inverter, use a combination of a motor and an inverter that has been approved in advance. Such approved products are available in our special product series. Contact Fuji for details.

Submersible motors and pumps

These motors have a larger rated current than standard motors. Select the inverter capacity so that these motors can run within the inverter rated current. These motors differ from standard motors in thermal characteristics.

Set a small value according to the thermal time constant of motor for setting electronic thermal relay function.

Brake motors

Do not use motors with parallel-connected brakes that obtain the brake power from the primary circuit (commercial power supply). If you connect the brake power to the inverter power output circuit by mistake, problems may occur.

Do not use inverters for driving motors equipped with series-connection brakes.

Geared motors

When the power transmission mechanism uses an oil-lubricated gearbox or speed changer/reducer, continuous motor operation at low speed may cause poor lubrication.

Synchronous motors

Synchronous motors cannot be driven by FRENIC-Mini inverter.

Single-phase motors

Single-phase motors are not suitable for inverter-driven variable speed operation. Use three-phase motors.

* Even if a single-phase power supply is available, use a three-phase motor, because the inverter provides three-phase output.

Combination with peripheral device

Installation location

Use the inverter in an ambient temperature range between -10 to 50 C.

The inverter and braking resistor surfaces become hot under certain operating conditions. Install an inverter on non-flammable material.

Installing Fuji Auto Breaker (MCCB)

Install a Fuji Auto Breaker (MCCB) or earth-leakage circuit breaker in the primary circuit of the inverter to protect wiring.

Magnetic contactor in the secondary circuit

If a magnetic contactor is mounted in the secondary circuit for switching the motor to commercial power or for any other purposes, ensure that the inverter and the motor are stopped before you turn on or off the contactor.

Magnetic contactor in the primary circuit

Do not open or close the magnetic contactor in the primary circuit more than once an hour. If frequent starts or stops are required during motor operation, send FWD or REV signals to the control terminal.

Protecting the motor

When you drive a motor with an inverter, the motor can be protected with an electronic thermal relay function of the inverter. In addition to the operation level, set the motor type (standard motor, inverter motor). For high-speed motors or water-cooled motors, set a small value in the thermal time constant to protect the motor in combination with the cooling system OFF signal. When driving several motors with an inverter, connect a thermal relay to each motor and turn on the inverter's electronic thermal relay function. If you connect the motor thermal relay to the motor with a long cable, high-frequency current may flow into the wiring stray capacitance. This may cause the relay to trip at a current lower than the set value for the thermal relay. If this happens, lower the carrier frequency or use the output circuit filter (OFL).

Power-factor correcting capacitor

Do not mount the power-factor correcting capacitor in the inverter primary circuit. (Use the DC reactor to improve the inverter power factor.) Do not use the power-factor correcting capacitor in the inverter secondary circuit. Overcurrent trip will occur, disabling motor operation.

Reducing noise

Use of filter and shielded wires are typical measures against noise that meets EMC Directives. For details, refer to the operation procedure manual.

Measures against surge current

If OV trip occurs while the inverter is stopped or operated under a light load, it is assumed that the surge current is generated by open/close of the phase-advancing capacitor in the power system.

* Connect a DC reactor to the inverter.

Megger test

When checking insulation resistance of the inverter, use a 500V megger and follow the instructions described in the instruction manual.

Wiring

Control circuit wiring length

When using remote control, limit the wiring length between the inverter and operator box to 20m or less and use twisted shielded cable.

Wiring length between inverter and motor

If long wiring is used between the inverter and the motor, the inverter will overheat or trip because of overcurrent (under the influence of high-frequency current flowing into the stray capacitance) in the wires connected to the phases. Ensure that the wiring is shorter than 50m for models 3.7kW or smaller, shorter than 100m for 5.5kW or larger. If these lengths must be exceeded, lower the carrier frequency or mount an output circuit filter (OFL). When wiring is longer than 50m, and Dynamic torque-vector control is selected, execute off-line tuning.

Wiring size

Select a cable with a sufficient capacity by referring to the current value or recommended wire size.

Grounding

Securely ground the inverter using the grounding terminal.

Selecting inverter capacity

Driving standard motor

Select an inverter from the capacity range of nominal applied motors shown in the inverter standard specifications table. When large starting torque is required or acceleration or deceleration is required in a short time, select an inverter with a capacity one size greater than the standard.

Driving special motor

Select an inverter that meets the following condition: Inverter rated current > Motor rated current

Transportation, storage

When transporting or storing inverters, select the procedures and places that meet the environmental conditions given in the inverter specifications. Ensure that the above environmental conditions are met also when transporting an inverter mounted to a machine.

Fuji Electric Co., Ltd.

ED&C Drive Systems Company

Gate City Ohsaki, East Tower, 11-2, Osaki 1-chome

Shinagawa-ku, Tokyo 141-0032, Japan

Phone: +81-3-5435-7139 Fax: +81-3-5435-7458



Printed on 100% recycled paper